



内容	页号	Description	Page
型号标示	5	Designation	5
标记示例	5	Sign Example	5
技术定义	6	Technical Definition	6
选型举例	7-8	Selection Example	7-8
使用系数	10-12	Service Factor	10-12
安装位置	13-15	Mounting Position	13-15
润滑油类型	16	Oil Type	16
热功率	17	Thermal Power	17
散热功率	18	Dissipation Power	18
冷却系统	18-22	Cooling System	18-22
技术参数和安装尺寸	23-119	Technical Data & mounting dimensions	23-119
公称输出转矩	23	Normal Output Torque	23
液压制动器	120-121	Hydraulic Brake	120-121
液压马达输入法兰	122-123	Adaptor for Hydraulic Motor	122-123
电机输入法兰(IECB5)	124	Adaptor for Electric Motor(IECB5)	124
实心输入轴	125	Solid Input Shaft	125
径向载荷	126	Radial Load	126
单输入轴许用径向力	126	Available Radial Load for Single Input Shaft	126
输出轴许用径向力	127	Available Radial Load for Output Shaft	127
扭力臂	128	Torque Arm	128
底脚安装	128	Foot Mounted	128
底脚安装尺寸	129	Dimensions of Foot Mounted	129
齿轮箱重量	130	Gear Unit Weight	130
油量	131-132	Oil Quantity	131-132



型号标示

Designation

形式代号	machine
轴输入型	N gear unit with input shaft
带输入法兰型	MN gear unit with input flange
齿轮级数	train of gears
1~5级同轴式行星	1E~5E 1~5 stages planetary gear
1级伞齿轮带1级行星轮	CE~C4E 1 bevel gear pair and 1~4 stages planetary gear
机型号	200~885 size
输入轴输出轴相对位置	shaft position
同轴	C coaxial
转角	R right angle
设计代号	1~2 design code
输出轴类型	output shaft type
实心轴伸	C cylinder shaft with key
外花键轴	S male splined shaft
空心轴带胀紧盘	H hollow shaft with shrink disc
内花键轴	Z female splined shaft
传动比	transmission ratio
附件(不带省略)	accessorys(omit signing when without it)
带底脚	FO with foot
带扭力臂	TA with torque arm
输入连接	input connection
法兰输入	flange mounted
带电机输入法兰	71~280B5 with flange for electric motor
带液压马达输入法兰	IM001-FM038 with flange for hydraulic motor
轴输入	cylinder shaft
单轴输入	with single input shaft
双轴输入	with double input shaft
安装位置	B5 V1 V3... mounting position

标记示例

N2E429C2C20.44FO-FS-B5

二级传动,机型429,实心输出轴,减速比20.44,带底脚,实心单轴输入,输入轴代号FS,减速器安装位置B5

N2E429 C2Z18.55-FD-V3 (INT 39Zx3mx30Px7H/GB3478)

二级传动,机型429,内花键输出轴,花键规格INT 39Zx3mx30Px7H 减速比18.55,实心双轴输入,输入轴代号FD,减速器安装位置V3

MNC3E 696R2C763.36FO1-180B5-B51

三级行星带伞齿轮传动,机型696,实心输出轴,减速比763.36,带底脚,底脚位置1,电机法兰输入,规格180B5,减速器安装位置B51

Sign Example

N2E429C2C20.44FO-FS - B5

2 stages transmission, gear unit size 429,cylinder output shaft with key, reduction ratio 20.44, with feet. cylinder input shaft, order code FS, gear unit mounting position B5

N2E429 C2Z18.55-FD-V3 (INT 39Zx3mx30Px7H/GB3478)

2 stages transmission, gear unit size 429,female splined output shaft, perform standard: INT 39Zx3mx30Px7H/GB3478. reduction ratio 18.55, with double input shaft, order code FD, gear unit mounting position V3

MNC3E 696R2C763.36FO1-180B5-B51

3 stages planetary with bevel gear transmission, gear unit size 696, cylindrical output shaft end, reduction ratio 763.36, with feet, position 1. With electric motor flange 180B5,gear unit mounting position B51



技术定义

Technical Definition

公称输出转矩

T_2 [Nm]

齿轮箱输出转矩公称值,用于预先快速选择机型号. 见23页

持续系数

[hxr/min]

持续系数为设计寿命[h]和[r/min]转速的乘积:

输入端持续系数: $fh_1 = h \times n_1$

输出端持续系数: $fh_2 = h \times n_2$

输出端持续系数已标准化,列于相关型号技术参数中

输出转矩

T_2 [Nm]

在连续和平稳工况下,使用系数 $fs=1$ 时,齿轮箱在输出转速[r/min]和寿命时间[h]的乘积 ($n_2 \times h$) 为定值时齿轮箱所能输出的转矩;考虑了齿轮抗压和抗弯以及轴承强度限制,齿轮计算遵从GB/T 3480-1997 (eqv ISO 6336:1996)标准,轴承计算遵从ISO 281标准

最大输出转矩

T_{2max} [Nm]

齿轮箱短时启动或受间断冲击时所能承受的最大转矩,作用次数 ≤ 10000 次,按GB/T 3480-1997(ISO 6336:1996)标准计算

输入转速

n_1 [r/min]

输入轴上许用的可以连续运转的输入转速

最高输入转速

n_{1max} [r/min]

受齿轮,轴承和油封限制,输入轴允许间断或短时间运转的最高转速.

减速比 [i]

输入转速 n_1 与输出转速 n_2 之比,即 $i = n_1/n_2$

齿轮箱的减速比已列入技术参数表中,如有特殊需要,可以按需配置

效率[η]

单级减速比传动效率为0.97,多级传动按公式计算:

$$\eta = 0.97^n \quad n \text{-----传动级数}$$

Nominal Output Torque

T_2 [Nm]

It is a torque value of each gear unit size, used for a quick selection of the size of the gear unit. Please refer to the table at the beginning of the technical data. On page 23

Duration Factor

[hxr/min]

Duration factor is the product of life time [h] and rotation speed [r/min] :

for input side: $fh_1 = h \times n_1$

for output side: $fh_2 = h \times n_2$

standardized duration factor fh_2 listed in the technical data of relative gear unit

Output Torque

T_2 [Nm]

It is the transmissible torque value in continuous and uniform operation with a service factor $fs=1$, and output speed [r/min] multiply life time [h] equal to a fixed value. Limited by contact & bending stress of the gear teeth, perform GB/T 3480-1997 (eqv ISO 6336:1996) standard, and bearing strength, perform ISO 281 standard.

Maximum Output Torque

T_{2max} [Nm]

It is the maximum output torque in gear unit for short time start or for occasional peaks, without any permanent damage to the most stressed elements, effective times ≤ 10000 , perform GB/T 3480-1997 (eqv ISO 6336:1996) standard.

Input Speed

n_1 [r/min]

The permitted speed on input shaft, allowed to continuously operating.

Maximum Input Speed

n_{1max} [r/min]

It indicates the maximum permitted input speed for short time or intermittent duty; The gear unit input speed limited by the peripheral speed of the gears, the bearings and the seals.

Reduction ratio [i]

The speed of the gear unit output shaft n_2 , as a function of the input speed n_1 and of the actual reduction ratio i .

$$i = n_1/n_2$$

The available reduction ratios are given in the technical data table for each gear unit size. Other reduction ratios can be obtained on request.

Efficiency [η]

The efficiency of a single stage gear is 0.97, multi-stage perform the formula

$$\eta = 0.97^n \quad n \text{-----transmission stage}$$



技术定义

Technical Definition

输入和输出轴径向力

F_{r1}, F_{r2}

输入轴和输出轴许用径向力基于转速和设计寿命,并在在轴上作用点有关,为了简化和标准化,选择了三个点并按ISO 281标准计算.
见126-127页

Input & Output Radial Load

F_{r1}, F_{r2}

The value of permitted radial load F_{r1}, F_{r2} , base on the product ($n_1 \times h, n_2 \times h$) of speed (n_1, n_2) and life time (h), also have relation with the force effect point on the shaft, to simplification and standardization, select three point to calculate, perform ISO 281 standard.
on page 126-127

输出转速

n_2 [r/min]

输出转速和输入转速 n_1 和实际减速比 i 的函数式为:
 $n_2 = n_1 / i$

Output Speed

n_2 [r/min]

The speed of the gear unit output shaft, as a function of the input speed n_1 and of the actual reduction ratio i .

$n_2 = n_1 / i$

输入功率

P_1 [kW]

作用于输入端的功率,和输出转矩 T_2 ,输入转速 n_1 ,减速比 i 和传动效率 η 的函数式为:
 $P_1 = T_2 \times n_1 / i / \eta / 9550$

Input Power

P_1 [kW]

The power applied at input of the gear unit, as a function of the output torque T_2 , input speed n_1 , and transmission efficiency η

$P_1 = T_2 \times n_1 / i / \eta / 9550$

输出功率

P_2 [kW]

作用于输出端的功率,和输出转矩 T_2 ,输出转速 n_2 ,函数式为:
 $P_2 = T_2 \times n_2 / 9550$

Output Power

P_2 [kW]

The power applied at output of the gear unit, as a function of output torque T_2 and output speed n_2

$P_2 = T_2 \times n_2 / 9550$

公称热功率

P_t [kW]

输入端公称热功率,是基于连续运转,齿轮箱内部油温低于 80°C 时,按一定条件计算,公称热功率见相关机型号技术参数表.

Normal Thermal Power

P_t [kW]

Normal thermal power applied at input side, base on continuously working duty, internal oil temperature of the gear unit at 80°C under the some test condition, the values listed in relative technical data.

热功率系数 [ft]

由于应用工况不尽相同,需要对不同的输入转速,安装位置,环境温度和操作情况进行修正.
见17页

Thermal Power Factor [ft]

Base the difference of application, such as input speed, mounting position, ambient temperature and operating duty, the thermal power factor used for correct the normal thermal power.
On page 17

散热功率

P_s [kW]

如果输入功率 P_1 大于热功率修正值 $P_t \times f_t$ ($P_1 > P_t \times f_t$),需要冷却系统散热,冷却系统散热能力的大小用散热功率表示.
见18页

Dissipation Power

P_s [kW]

If input power P_1 great than thermal power $P_t \times f_t$ ($P_1 > P_t \times f_t$), a cooling system needed. The dissipation ability of cooling system is dissipation power.
On page 18

使用系数 [fs]

考虑载荷类型、启动频率、运转周期和环境温度等,对输出转矩进行修正的系数.
见10-12页

Service Factor [fs]

It is a multiplicative coefficient of the torque required at output from the gear unit and takes into account the load type, start-up frequency, operating cycle and ambient temperature, the factors listed in the relative table.

On page 10-12



选型举例

Selection Example

举例

选择直线型齿轮箱,应用工况如下:

- 连续运转
- 电机驱动
- 输入转速 $n_1 = 1500$ r/min
- 所需输出转速 $n_2 = 15$ r/min
- 所需输入转矩 $T_{2r} = 50000$ Nm
- 寿命时间5000 h
- 使用系数 $f_s = 1.3$

计算

减速比计算:

$$i = n_1/n_2 = 1500/15 = 100$$

修正转矩计算:

$$T_{2c} = T_{2r} \times f_s = 50000 \times 1.3 = 65000$$

持续系数计算:

$$n_2 \times h = 15 \times 5000 = 75000$$

选型

查公称输出转矩表,选 T_{2n} 大于 T_{2c} 的型号,

该型号为542, 见23页

在机型号542中,三级(3E)减速比中有98.24, 接近于要求的减速比,

持续系数 $n_2 \times h = 100000 > 75000$,

可用输出转矩 $T_2 = 67990$ Nm 见92页

部分数据摘录如下:

Example

Choosing a linear gear unit that works at the following conditions:

- continuously operating
- electric motor driving
- input speed $n_1 = 1500$ r/min
- required output speed $n_2 = 15$ r/min
- required output torque $T_{2r} = 50000$ Nm
- the life time required 5000 h
- service factor $f_s = 1.3$

Calculation

The reduction ratio required is worth:

$$i = n_1/n_2 = 1500/15 = 100$$

while the corrected torque is:

$$T_{2c} = T_{2r} \times f_s = 50000 \times 1.3 = 65000$$

and the duration factor is equivalent to:

$$n_2 \times h = 15 \times 5000 = 75000$$

Selection

From the nominal torque table select a gear unit size which has a nominal torque value T_{2n} greater than T_{2c} ;

in this case the suitable size is 542 on page 23

In the technical data table of the 542 size, there is a triple stage linear gear unit (3E) with a 98.24 ratio, close to what is required; in the column relative to $n_2 \times h = 100000 > 75000$

applicable torque $T_2 = 67990$ Nm. On page 92

Part of the data copy as following:

542	i	T ₂ [N.m]							n ₁ [r/min]	n _{1max} [r/min]	T _{2max} [N.m]	P _t [kW]
		n ₂ xh [r/minxh]										
		10000	25000	50000	100000	500000	1000000	2000000				
1E	3.86	93380	80810	72400	67520	60810	58110	55520	500	750	180320	70
	4.33	93410	80930	72580	67990	61300	58630	56060	500	750	184070	70
	5	80960	70190	62970	60040	54180	51840	49590	500	750	163700	70
	6	61460	53310	48680	46580	42070	40250	38510	500	750	128390	70
2E	14.01	93380	80810	72400	67520	60810	58110	55520	1200	1500	180320	56
	15.44	93380	80810	72400	67520	60810	58110	55520	1200	1500	180320	56
	17.37	93380	80810	72400	67520	60810	58110	55520	1200	1500	180320	56
	20.07	93380	80810	72400	67520	60810	58110	55520	1200	1500	180320	56
	27.06	93410	80930	72580	67990	61300	58630	56060	1200	1500	184070	56
	31.25	80960	70190	62970	60040	54180	51840	49590	1200	1500	163700	56
	37.50	61460	53310	48680	46580	42070	40250	38510	1200	1500	128390	56
3E	44.56	93380	80810	72400	67520	60810	58110	55520	1500	2000	180320	38
	51.00	93380	80810	72400	67520	60810	58110	55520	1500	2000	180320	38
	61.09	93380	80810	72400	67520	60810	58110	55520	1500	2000	180320	38
	68.52	93380	80810	72400	67520	60810	58110	55520	1500	2000	180320	38
	79.45	93380	80810	72400	67520	60810	58110	55520	1500	2000	180320	38
	98.24	93410	80930	72580	67990	61300	58630	56060	1500	2000	184070	38
	121.78	93410	80930	72580	67990	61300	58630	56060	1500	2000	184070	38
	141.63	93410	80930	72580	67990	61300	58630	56060	1500	2000	184070	38



选型举例

Selection Example

选型

该值($T_2=67990$)大于所需值($T_{2c}=65000$), 齿轮箱满足使用要求

校核输入转速

许用输入转速 $n_1=1500\text{r/min}$, 符合使用要求 见92页

校核热功率

计算输入功率:

$$P_1 = T_{2c} \times n_1 / \eta / 9550 = 65000 \times 1500 / 98.24 / (0.97^3) / 9550 = 114\text{kW},$$

标准电机功率应为132kW, 4极

查3E542型号齿轮箱, 热功率:

$$P_t = 38\text{kW} \quad \text{见92页}$$

$P_1 > P_t$, 需要冷却系统

散热功率计算:

$$P_s = 0.1 \times (P_1 - P_t) \times k_s \times k_p / k_t = 0.1 \times (114 - 38) \times 0.89 \times 1 / 1.45 = 9.06(\text{kW})$$

选选择冷却系统CR3 见18页

校核最大输出转矩

功率132kW, 4极标准电机, 查相关手册可得数据:

额定转矩: $T_{1N} = 850\text{N.m}$,

最大转矩: $T_{1\text{max}} = 850 \times 2.2 = 1870\text{N.m}$,

作用在齿轮箱上最大转矩:

$$T_{2\text{cmax}} = T_{1\text{max}} \times \eta = 1870 \times 98.24 \times 0.97^3 \approx 167666\text{N.m}$$

查3E542型号齿轮箱, 最大输出转矩: $T_{2\text{max}} = 184070$ 见92页

$T_{2\text{max}} > T_{2\text{cmax}}$

结论

选择正确

Selection

Since this value ($T_2=67990$) is greater than torque T_{2c} ($T_{2c}=65000$) the gear unit selected is suitable for working at the conditions required.

Check Input Speed

Input speed, permitted continuously speed $n_1=1500\text{r/min}$, fitting working condition on page 92

Check Thermal Power

Input power required is worth:

$$P_1 = T_{2c} \times n_1 / \eta / 9550 = 65000 \times 1500 / 98.24 / (0.97^3) / 9550 = 114(\text{kW}),$$

Standard electric motor should be 132kW, 4 poles

for size 3E542, thermal power

$$P_t = 38\text{kW} \quad \text{on page 92}$$

$P_1 > P_t$, so a cooling system required

Dissipation power required is worth:

$$P_s = 0.1 \times (P_1 - P_t) \times k_s \times k_p / k_t = 0.1 \times (114 - 38) \times 0.89 \times 1 / 1.45 = 9.06(\text{kW})$$

select cooling system CR3, on page 18

Check Maximum Output Torque

For 132kW, 4 poles electric motor, data got from relative handbook:

Normal torque: $T_{1N} = 850\text{N.m}$,

Maximum torque: $T_{1\text{max}} = 850 \times 2.2 = 1870\text{N.m}$,

Maximum torque effect on gear unit output end:

$$T_{2\text{cmax}} = T_{1\text{max}} \times \eta = 1870 \times 98.24 \times 0.97^3 \approx 167666\text{N.m}$$

Gear unit maximum output torque: $T_{2\text{max}} = 184070$ on page 92

$T_{2\text{max}} > T_{2\text{cmax}}$

Conclusion

Selection is correct



使用系数

Service Factor

工业应用中的载荷分类

所列载荷是按经验分类的。

不在本列表范围的载荷类型可以联系我们共同探讨。

根据实际应用情况选用载荷分类，并和设计要求相符合。

根据实际的运行工况，载荷类型分类可能和所列分类不同，请

酌情修改

符号说明：

U=稳定载荷

M=中等冲击

H=严重冲击

* =仅限于24小时运转

Load Classification Symbols in Applications & Industries

The listed load classification symbols are empirical values.

Prerequisite for application is that the machinery and equipment

mentioned correspond to generally accepted design and load

specifications.

In case of deviations from listed conditions, please refer to us.

Listed load classification symbols may be modified after giving exact details

of operating conditions.

U = Uniform load

M = Medium shock load

H = Heavy shock load

气压机, 压缩机	运输机械
M 旋转活塞式压缩机	M 螺旋输送机
U 轴流式气压机	M 钢带输送机
M 冷却塔	M 链板式输送机
M 风扇人工产气	M 牵引式输送机
U 涡轮压缩机	起重机械
建筑机械	M 吊杆起重机构
M 混凝土搅拌机	H 提升机构*
M 提升机	M 摆动机构*
M 道路施工机械	M 回转机构
化工机械	H 行走机构
U 液体搅拌机	采矿机械
M 半流体搅拌机	H 斗式输送机
M 重载离心分离机	H 铲斗装置
U 轻载离心分离机	H 破碎装置
M 冷却滚筒*	M 绞盘装置
M 干燥滚筒*	M 泵
M 混合器	M 回转机构
空气压缩机	H 掘进机构
H 活塞式空气压缩机	M 轨道运动机构
M 涡轮空气压缩机	食品机械
运输机械	U 灌装机及包装机
M 链斗式输送机	M 甘蔗破碎机*
M 斗式提升机	M 甘蔗切割机*
M 斗轮带式输送机	M 甘蔗压榨机*
M 散装橡胶带式输送机	H 捏合机
H 块装橡胶带式输送机	M 捣碎机
U 桶装粉末输送机	U 打包机
M 链条式输送机	M 甜菜切割机
M 循环轨道输送机	M 甜菜清洗机
M 轻载提升机	变换器及发生器
H 重载提升机*	H 频率变换器
H 倾斜式输送机*	H 发生器
M 链带输送机	H 焊机
M 乘客运输机	

Blowers, Ventilators	Conveyors
M Rotary piston blowers	M Screw conveyors
U Blowers (axial/radial)	M Steel belt conveyors
M Cooling tower fans	M Trough chain conveyors
M Induced draught fans	M Hauling winches
U Turbo blowers	Cranes
Building machinery	M Derricking jib gears
M Concrete mixers	H Hoisting gears *
M Hoists	M Luffing gears *
M Road construction machinery	M Slewing gears
Chemical industry	H Travelling gears
U Agitators (liquid material)	Dredgers
M Agitators (semi-liquid material)	H Bucket conveyors
M Centrifuges (heavy)	H Bucket wheels
U Centrifuges (light)	H Cutter heads
M Cooling drums *	M Manoeuvring winches
M Drying drums *	M Pumps
M Mixers	M Slewing gears
Compressors	H Travelling gears (caterpillar)
H Piston compressors	M Travelling gears (rails)
M Turbo compressors	Food industry machinery
Conveyors	U Bottling and container filling
M Apron conveyors	machines
M Ballast elevators	M Cane crushers *
M Band pocket conveyors	M Cane knives *
M Belt conveyors (bulk material)	M Cane mills *
H Belt conveyors (piece goods)	H Kneading machines
U Bucket conveyors for flour	M Mash tubs, crystallizers
M Chain conveyors	U Packaging machines
M Circular conveyors	M Sugar beet cutters
M Goods lifts	M Sugar beet washing machines
H Hoists *	Generators, transformers
H Inclined hoists *	H Frequency transformers
M Link conveyors	H Generators
M Passenger lifts	H Welding generators



使用系数

Service Factor

工业应用中的载荷分类

Load Classification Symbols in Applications & Industries

服装机械 M 滚筒式机械 M 洗衣机 轧钢机械 H 带钢轧机 * M 链条输送机 * H 冷轧机 * H 连铸机 * M 冷床装置 * H 剪切机 * M 卷取机 * H 精整机 * H 中重型电镀机械 * H 初轧机 * H 钢锭装卸运送机械 * H 推钢机械 * H 主传动装置 H 剪板机 * M 厚板机组 * M 轧辊调整装置 M 辊式矫直机 * H 重型翻板机 * M 轻型翻板机 * H 薄板机组 * M 修整机组 * H 焊接钢管机组 M 线带卷取机组 M 拉丝架 金属加工机械 U 弯曲和校直机械 H 锻压机械 H 锻锤 * U 工作母机中的辅助机械 M 工作母机的主传动 H 平面加工机械 H 矫直板机械 H 压力机 H 冲床	纸品加工机械 H 光泽缸 * H 纸浆碾磨机 * H 纸浆碾磨机 * H 真空(吸水)筛浆机 * H 真空(吸水)压榨机 * H 打浆机 * H 挤浆机 * 塑料机械 M 研光机 * M 破碎机械 * M 挤压机 * M 混合机 * 泵 U 轻质液体离心泵 M 粘性液体离心泵 H 活塞泵 H 柱塞泵 * H 压力泵 * 橡胶机械 M 研光机 * H 挤压机 * M 混合机 * H 搅拌机 * H 碾滚成型机械 * 矿石及泥土加工机械 H 球磨机 * H 搅拌机 * H 碎石机 H 压砖机 H 锤式粉碎机 * H 圆盘切割机 * H 开槽机 * 纺织机械 M 混纺机 M 织布机 M 印染机 M 鞣革机	Laundries M Tumblers M Washing machines Metal rolling mills H Billet shears * M Chain transfers * H Cold rolling mills * H Continuous casting plants * M Cooling beds * H Cropping shears * M Cross transfers * H Descaling machines * H Heavy and medium plate mills * H Ingot and blooming mills * H Ingot handling machinery * H Ingot pushers * H Manipulators H Plate shears * M Plate tilters * M Roller adjustment drives M Roller straighteners * H Roller tables (heavy) * M Roller tables (light) * H Sheet mills * M Trimming shears * H Tube welding machines M Winding machines (strip and wire) M Wire drawing benches Metal working machines U Countershafts, line shafts H Forging presses H Hammers * U Machine tools, auxiliary drives M Machine tools, main drives H Metal planing machines H Plate straightening machines H Presses H Punch presses M Shears M Sheet metal bending machines	Paper machines H Glazing cylinders * H Pulpers * H Pulp grinders * H Suction rolls * H Suction presses * H Wet presses * H Willows * Plastic industry machinery M Calenders * M Crushers * M Extruders * M Mixers * Pumps U Centrifugal pumps (light liquids) M Centrifugal pumps (viscous liquids) H Piston pumps H Plunger pumps * H Pressure pumps * Rubber machinery M Calenders * H Extruders * M Mixers * H Pug mills * H Rolling mills * Stone and clay working machines H Ball mills * H Beater mills * H Breakers H Brick presses H Hammer mills * H Rotary kilns * H Tube mills * Textile machines M Batches M Looms M Printing and dyeing machines M Tanning vats M Willows Water treatment
---	--	---	--



使用系数

Service Factor

使用系数的计算

选型号时，使用系数应符合下面公式：

$$f_s > f_1 \times f_2 \times f_3 \times f_4$$

f_s 减速机使用系数见相关机型技术参数

f_1 每天工作时间系数

f_2 启动频率，峰值载荷作用频率及制动频率系数

f_3 每小时负荷率 (ED)

f_4 环境温度系数

The Calculation of Service Factor

Please perform following formula:

$$f_s > f_1 \times f_2 \times f_3 \times f_4$$

f_s for gearmotor and gear unit

f_1 for daily operating periods and load classifications

f_2 for starts, peak torques, braking

f_3 for operating cycle per hour (ED)

f_4 for ambient temperature

f ₁ 每天工作时间系数		f ₁ for daily operating periods and load classifications			
运行周期 hrs Daily operating period (hrs)	≤ 0.5	<0.5~2	<2~10	<10~24	
载荷分类 U Load classification symbol U	0.8	0.9	1	1.2	
载荷分类 M Load classification symbol M	0.9	1	1.2	1.4	
载荷分类 H Load classification symbol H	1	1.2	1.4	1.6	

f ₂ 启动频率，峰值载荷作用频率及制动频率系数		f ₂ for starts, peak torques, braking			
每小时作用次数	≤ 10	<10~60	<60~240	<240~600	
f ₂	1	1.1	1.2	1.3	

f ₃ 每小时负荷率 (ED)		f ₃ for operating duty (ED)				
ED %	100	80	60	40	20	
f ₄	1	0.94	0.86	0.74	0.56	

f ₄ 环境温度系数		f ₄ for ambient temperature				
环境温度 ambient temperature(°C)	-10~10	10~20	20~30	30~40	40~50	
n ₁ <300r/min	0.89	1	1.14	1.33	1.6	
> 300 - 1500r/min	0.9	1	1.17	1.42	1.75	
> 1500r/min	0.9	1	1.2	1.5	1.9	



安装位置

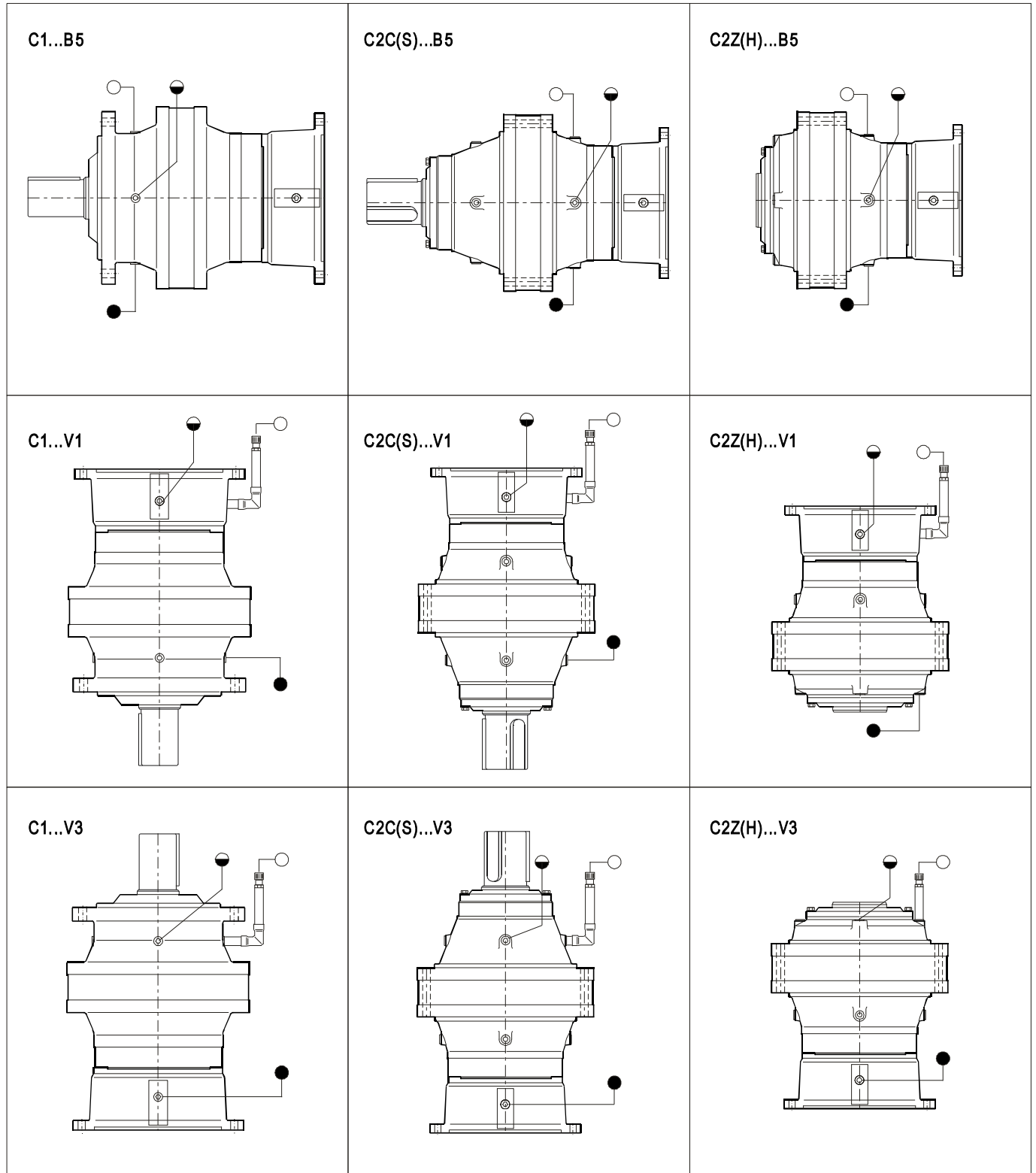
Mounting Position

同轴减速器

- — 通气帽
- ◐ — 油镜
- — 放油塞

In-line Gear Unit

- — Breather
- ◐ — Oil Level
- — Oil Drain





安装位置

Mounting Position

转角减速器

Right Angle Gear Unit

- — 通气帽
- ◐ — 油镜
- — 放油塞

- — Breather
- ◐ — Oil Level
- — Oil Drain

<p>C1...B51</p>	<p>C2C(S)...B51</p>	<p>C2Z(H)...B51</p>
<p>C1...B5/B53</p>	<p>C2C(S)...B5/B53</p>	<p>C2Z(H)...B5/B53</p>
<p>C1...B52</p>	<p>C2C(S)...B52</p>	<p>C2Z(H)...B52</p>
<p>C1...V1</p>	<p>C2C(S)...V1</p>	<p>C2Z(H)...V1</p>
<p>C1...V3</p>	<p>C2C(S)...V3</p>	<p>C2Z(H)...V3</p>



安装位置

Mounting Position

油箱

同轴式齿轮箱安装位置为V1和V3时,转角齿轮箱安装位置为B51,V1和V3时,齿轮箱应加满油,这样使顶端轴承和油封得到充分润滑.

齿轮箱在加满油的状态下运转,随着油温的升高,体积会膨胀,这样需要油箱去容纳膨胀的油以避免齿轮箱内部压力升高而引起齿轮箱泄露.

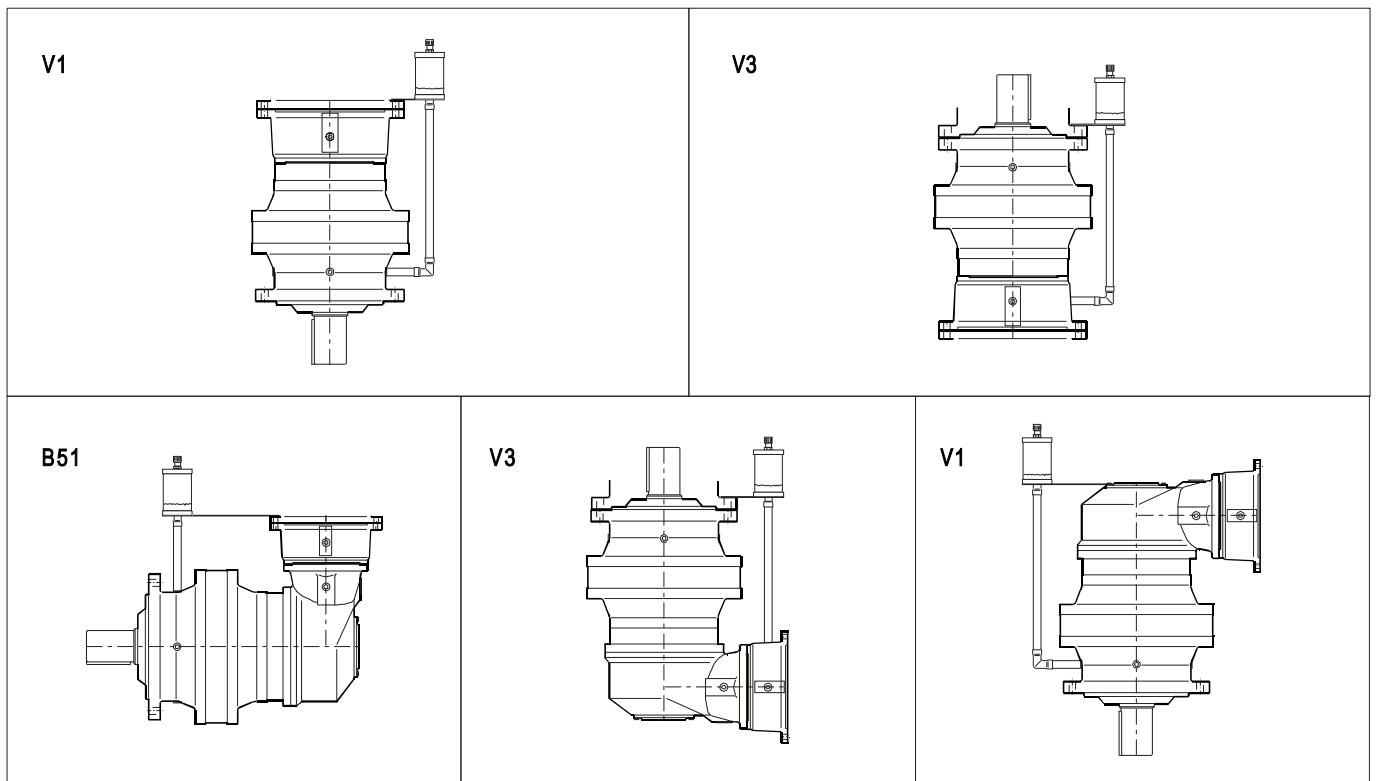
膨胀油箱通过快换接头和软管与齿轮箱快速连接,这样也使加油和更换油更加方便容易.

Oil Tank

when the in-line gear unit mounted as V1 and V3 position, the right angle gear unit mounted in B51, V1 and V3 position, it is necessary to fill oil full up to the top of the gear unit so that the bearings and seals can get enough lubricant.

As the gear unit is working in the completely filled conditions, when the lubricant increases in volume with the temperature rising, it is necessary to have a tank that allows the oil to expand to reduce the risk of high pressures being created inside the gear unit and cause the gear unit to leaking.

The expansion tanks can be connected to the gear unit with a rapid connection of flexible pipes. the tank makes oil filling and exchange more convenient.

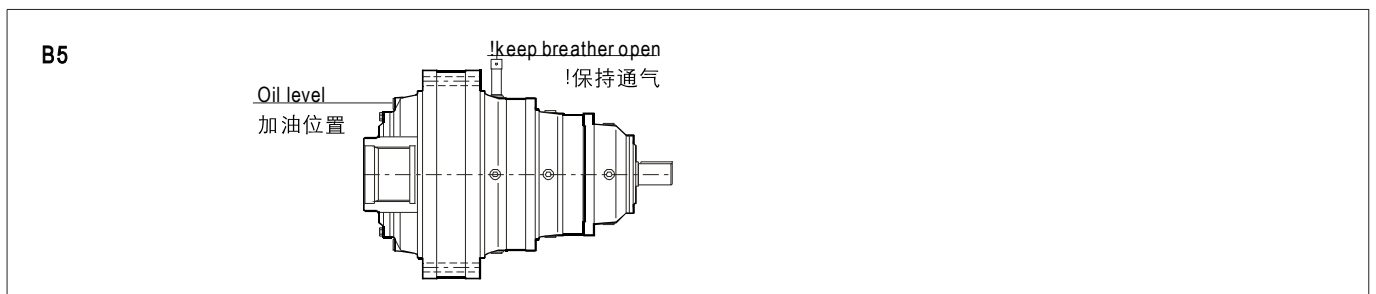


特殊工况

对于安装位置B5,如果输出转速(n_2)低于 $1r/min$,应加油到齿轮箱顶部,避免齿轮无润滑运转

The Special Working Condition

If the output speed is less than $1r/min$ for B5 horizontal mounting, it is necessary to fill oil at the top oil level as shown in below drawing





安装位置

Mounting Position

润滑油类型

润滑油的选择按本表推荐选取,国内使用,本公司出厂时均加VG150
矿物齿轮油,从运输安全考虑,出口货物不加注润滑油.

Oil Type

The gear unit is filled with VG150 mineral oil for domestic customers,
considering transport safety, the gear unit supplied without oil for export.

输出转速/output speed [r/min]	工作油温/operating temperature [50°C]	工作油温/operating temperature [70°C]
>20	VG150	VG220
>5	VG220	VG320
<5	VG320	VG460

润滑油类型 oil type		矿物油 Mineral oil			石蜡基合成油 Synthetic oil(PAO)			聚乙二醇基合成油 Synthetic oil(PG)		
环境温度 Ambient temperature		-10°C/+30°C	+10°C/+45°C	+30°C/+60°C	-20°C/+60°C			-20°C/+60°C		
粘度等级 viscosity		ISO VG 150	ISO VG 220	ISO VG 320	ISO VG 150	ISO VG 220	ISO VG 320	ISO VG 150	ISO VG 220	ISO VG 320
品牌 Brand	AGIP	Blasia 150	Blasia 220	Blasia 320	-	Blasia SX 220	Blasia SX 320	Blasia S 150	Blasia S 220	Blasia S 320
	BP	Energol GR-XP150	Energol GR-XP220	Energol GR-XP320	Enersyn EPX150	Enersyn EPX220	Enersyn EPX320	Enersyn Sg150	Enersyn SG-XP220	Enersyn SG-XP320
	CASTROL	Alpha SP 150	Alpha SP 220	Alpha SP 320	Alphasyn Ep150	Alphasyn Ep220	Alphasyn Ep320	Alphasyn Pg150	Alphasyn Pg220	Alphasyn Pg320
	CHEVRON	Ultra Gear 150	Ultra Gear 220	Ultra Gear 320	Tegra Synthetic Gear 150	Tegra Synthetic Gear 220	Tegra Synthetic Gear 320	HiPerSYN 150	HiPerSYN 220	HiPerSYN 320
	ESSO	Spartan Ep150	Spartan Ep220	Spartan EP320	Spartan S Ep150	Spartan S Ep220	Spartan S Ep320	Glycolube 150	Glycolube 220	Glycolube 320
	MOBIL	Mobilgear XMP150	Mobilgear XMP220	Mobilgear XMP320	Mobilgear SHC XMP 150	Mobilgear SHC XMP 220	Mobilgear SHC XMP 320	GlygoyleHe 320	Glygoyle 22	Glygoyle 30
	MOLIKOTE	L-0115	L-0122	L-0132	L-1115	L-1122	L-1132	-	-	-
	SHELL	Omala 150	Omala 220	Omala 320	Omala HD 150	Omala HD 220	Omala HD 320	Tivela S 150	Tivela S 220	Tivela S 320
	TEXACO	Meropa 150	Meropa 220	Meropa 320	Pinnacle Ep150	Pinnacle Ep220	Pinnacle Ep320	-	Synlube CLP220	Synlube CLP320
	TOTAL	Carter Ep150	Carter Ep220	Carter EP320	Carter Sh150	Carter Sh220	Carter Sh320	Carter Sy150	Carter Sy220	Carter Sy320
TRIBOL	1100/150	1100/220	1100/320	1510/150	1510/220	1510/320	800\150	800\220	800\320	



热功率

Thermal Power

热功率 P_t [kW]

输入端热功率，是基于连续运转，齿轮箱内部油温低于80°C时，按以下条件计算所得值：

- 输入转速: 1000 r/min;
- 溅油润滑;
- 齿轮箱水平安装，无循环空气影响;
- 润滑油在油油标中间位置;
- 润滑油粘度ISO VG 150;
- 环境温度 20°C.

热功率值已列入相关型号技术参数中，不同工况下，热功率按下公式修正:

$$P_1 \leq P_t \times f_t$$

P_1 -----输入功率

$$f_t = k_s \times k_p / k_t$$

f_t -----热功率系数

Thermal Power P_t [kW]

Thermal power applied at input side, base on continuously working duty, internal oil temperature of the gear unit at 80°C under the following test conditions:

- input speed: 1000 r/min;
- oil splash lubrication;
- gear unit in a horizontal position, not subject to air recirculation;
- quantity of oil corresponding to the half full mark;
- ISO VG 150 mineral oil;
- ambient temperature 20°C.

The value of the thermal power of each gear unit is given in the relative technical data table. For conditions differing from those described above, the thermal power value has to be corrected as following formula:

$$P_1 \leq P_t \times f_t$$

P_1 -----input power

$$f_t = k_s \times k_p / k_t$$

f_t -----thermal power factor

热功率系数

Thermal Power Factor

k _s 速度系数		k _s for input speed									
n ₁ (r/min)	500	750	1000	1250	1500	1750	2000	2250	2500	2750	3000
k _s	1.08	1.04	1.00	0.95	0.89	0.82	0.75	0.66	0.59	0.54	0.48

k _p 安装位置系数		k _p for mounting position		
安装位置/mounting position		B5,B53	V1,B51	V3,B52
k _p		1	0.85	0.71

k _t 环境温度系数			k _t for ambient temperature				
工作制 operating duty	每小时工作时间 operating time per hour	每小时负荷率 operating cycle per hour	环境温度/ambient temperature(°C)				
	minutes	ED%	-10~10	10~20	20~30	30~40	40~50
连续运转 continuous duty	60	100	0.9	1	1.15	1.45	1.82
断续运转 Intermittent duty	48	80	0.8	0.9	1	1.25	1.56
	36	60	0.7	0.75	0.9	1.1	1.34
	24	40	0.6	0.65	0.8	0.95	1.13
	12	20	0.5	0.6	0.7	0.85	1.03



冷却系统

Cooling System

散热功率

如果输入功率 P_1 大于热功率 P_t ($P_1 > P_t$), 需要冷却系统散热. 系统散热

功率 P_s 按下面公式计算:

$$P_s = 0.1 \times (P_1 - P_t \times f_t) \\ = 0.1 \times (P_1 - P_t \times k_s \times k_p / k_t)$$

P_s -----散热功率

t_a -----环境温度

f_t -----热功率系数

Dissipation Power

P_s [kW]

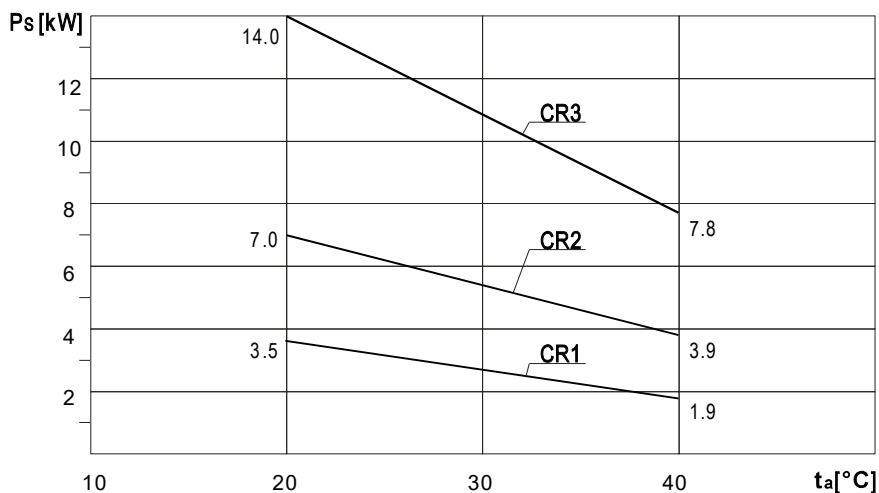
If input power P_1 great than thermal power P_t ($P_1 > P_t$), a cooling system is required. dissipation power P_s perform following formula:

$$P_s = 0.1 \times (P_1 - P_t \times f_t) \\ = 0.1 \times (P_1 - P_t \times k_s \times k_p / k_t)$$

P_s -----dissipation power

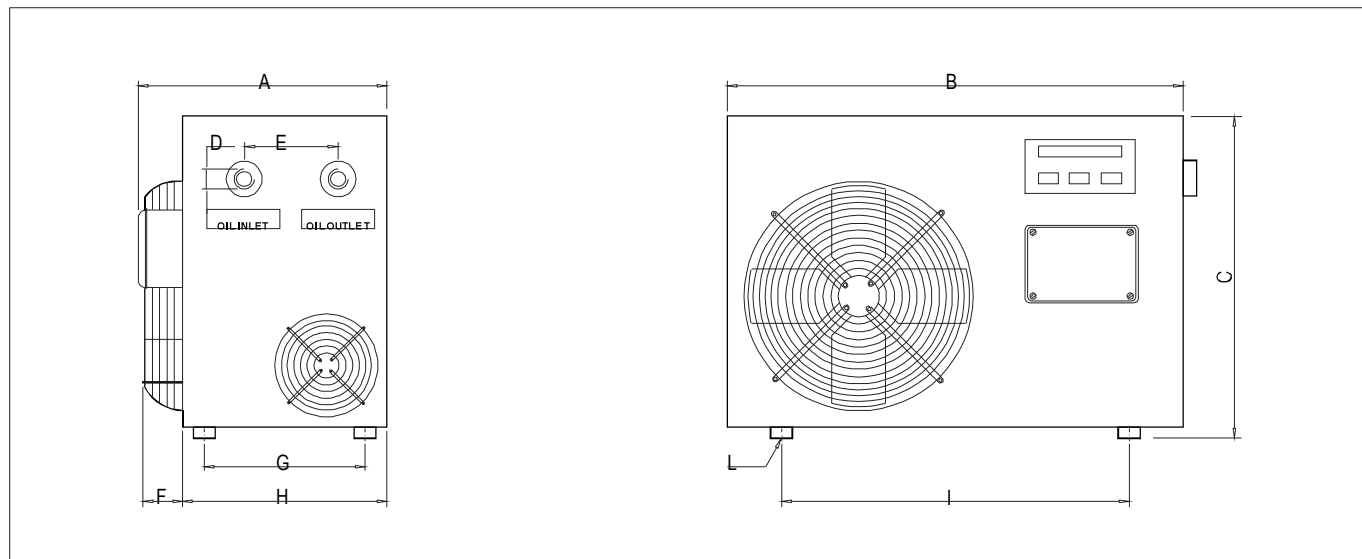
t_a -----ambient temperature

f_t -----thermal power factor



安装尺寸

Mounting dimensions



	A	B	C	D	E	F	G	H	I	L
CR1	310	490	410	G1/2	80	10	190	245	415	M10
CR2	365	600	463	G3/4	100	45	250	300	530	M10
CR3	465	760	575	IN=G1 OUT=G3/4	100	45	350	400	690	M10

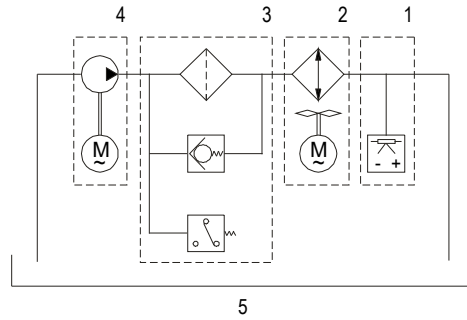


冷却系统

Cooling System

原理图和技术参数

Principles & Technical Data



序号 Item	名称 Name	功能 Function	技术参数/Technical data		
			CR1	CR2	CR3
1	温控仪 thermo-couple	油温监控并报警 test oil temperature & supply warning signal	AC220V/50Hz,±100°C	AC220V/50Hz,±100°C	AC220V/50Hz,±100°C
2	冷却风扇 cooling fan	冷却润滑油 cool oil	AC220V/50Hz,600m ³ /h	AC220V/50Hz,1000m ³ /h	AC220V/50Hz,3000m ³ /h
3	过滤器 filter	过滤杂质并报警 filter impurity	AC220V/50Hz,80μ	AC220V/50Hz,80μ	AC220V/50Hz,80μ
4	油泵 pump	供油动力 pump lubrication oil	AC380V/0.37KW,9L/min,5bar	AC380V/0.75KW,25L/min,5bar	AC380V/1.5KW,40L/min,5bar
5	减速器 gear unit	按客户设计 base requirements	按客户参数选取	按客户参数选取	按客户参数选取
重量/weight [kg]			28	40	63



冷却系统

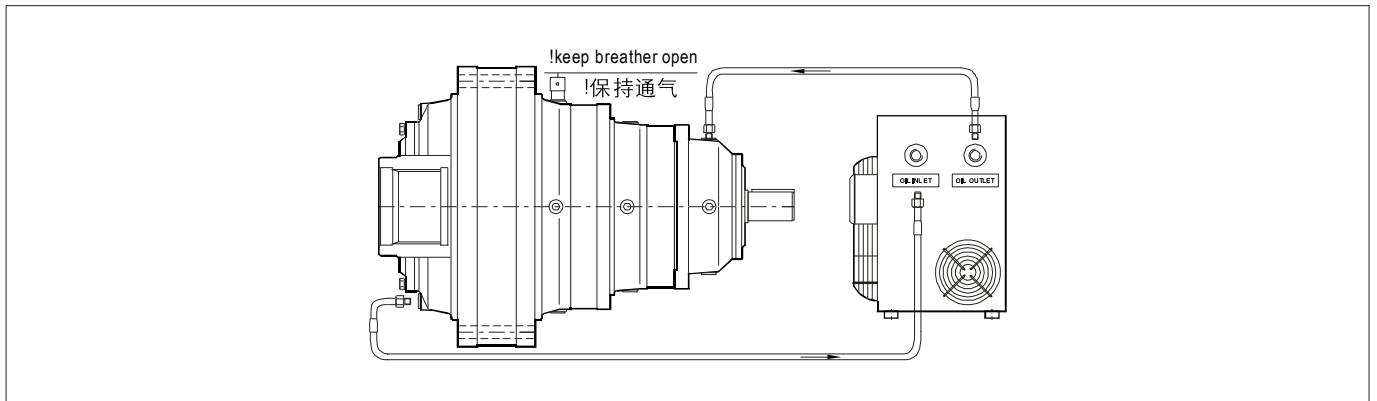
Cooling System

冷却系统安装, 一拖一

Installation for cooling system, one to one

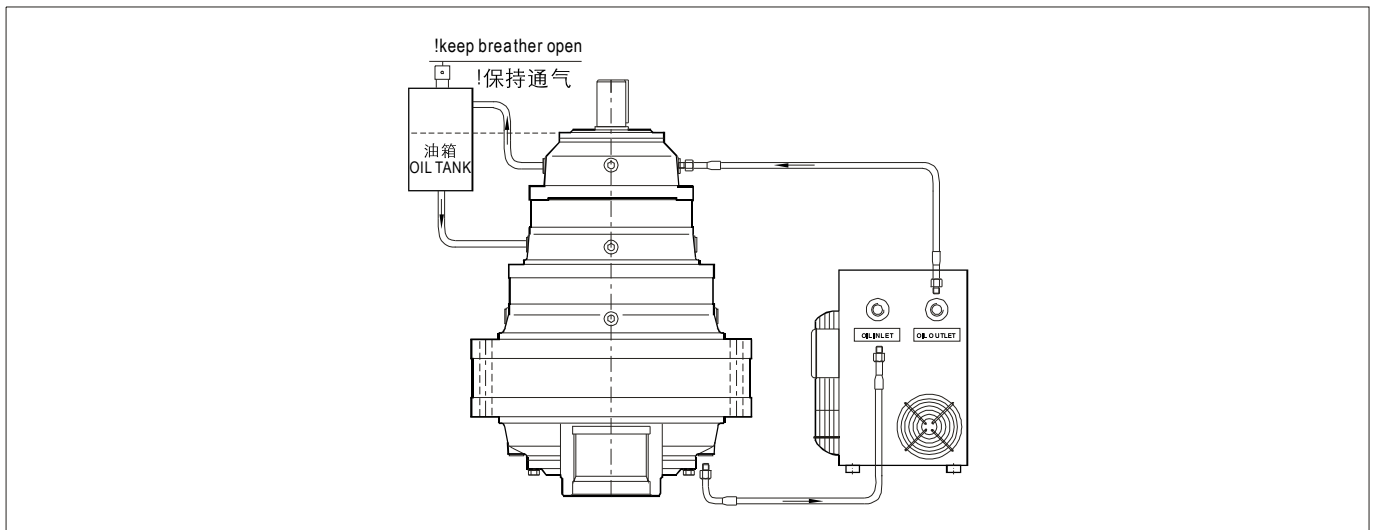
B5 水平安装

for B5 horizontal mounting position



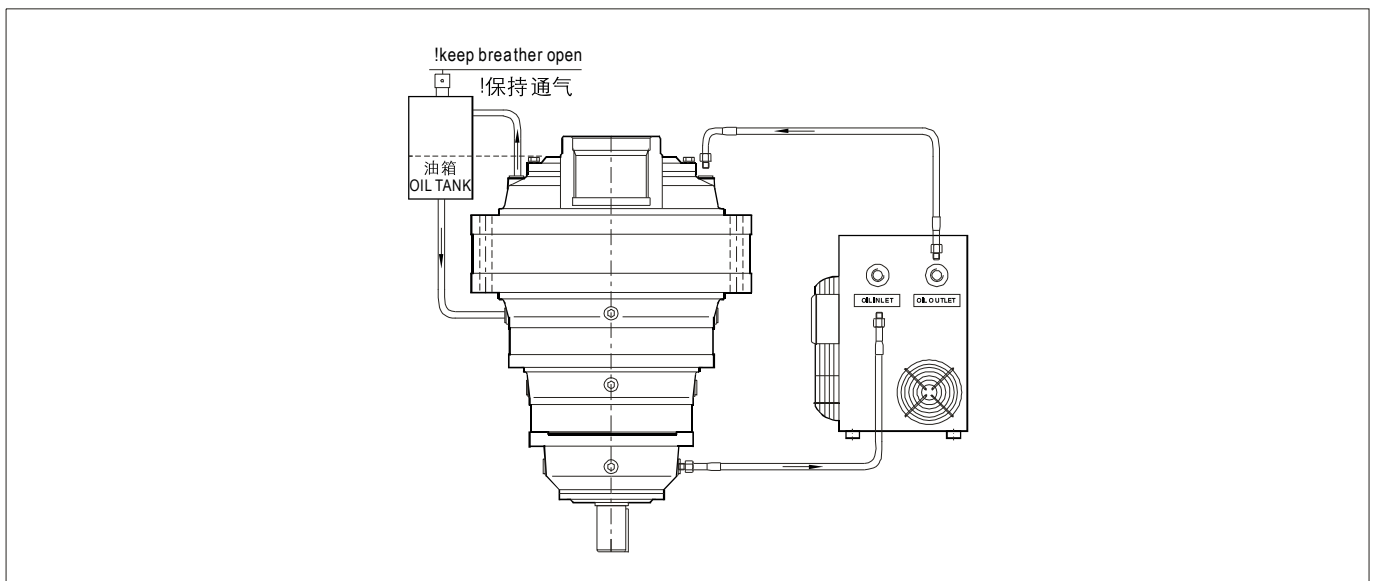
V1 立式安装, 输出轴朝下

for V1 vertical mounting position, output shaft downwards



V3 立式安装, 输出轴朝上

for V3 vertical mounting position, output shaft upwards





冷却系统

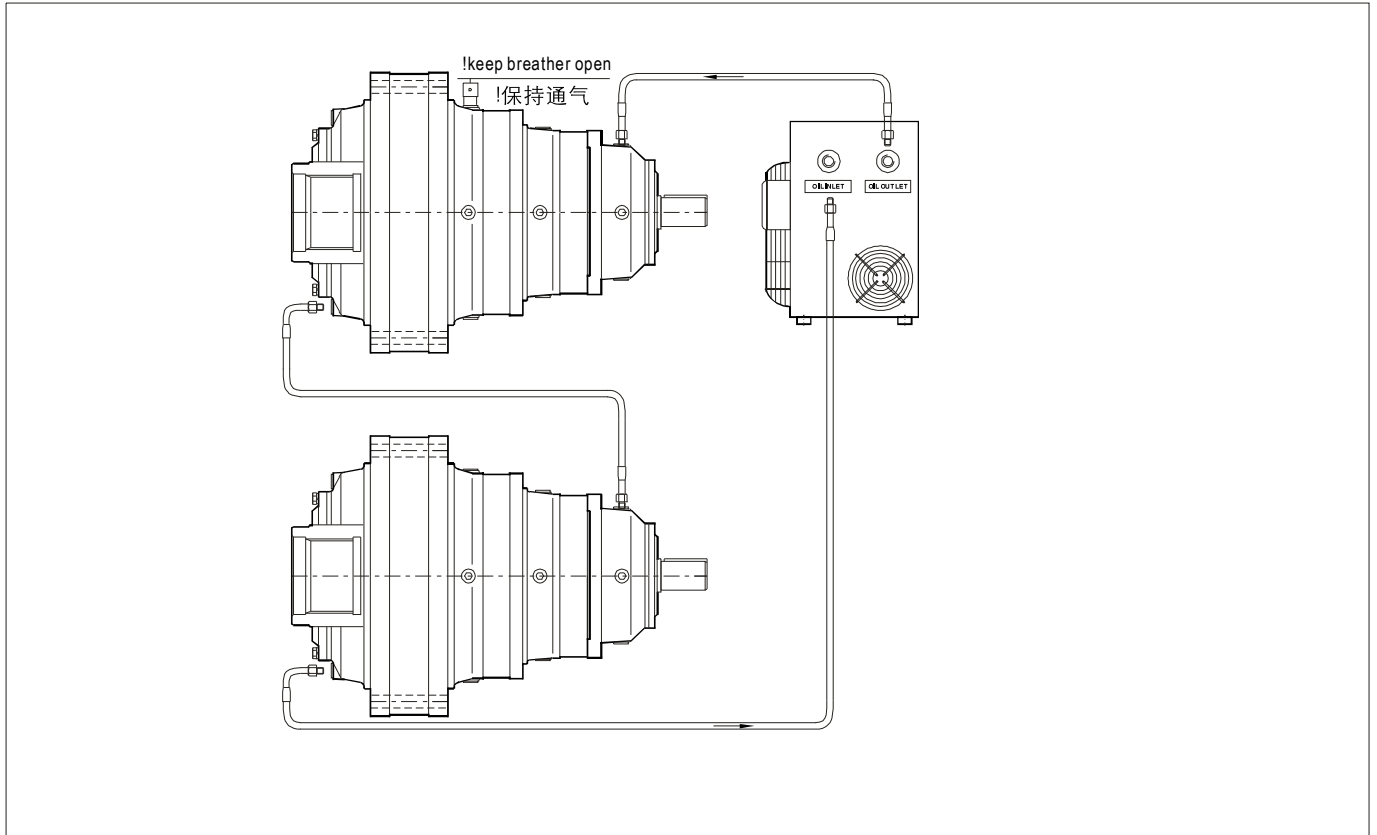
Cooling System

冷却系统安装，一拖二

Installation for cooling system, one to two

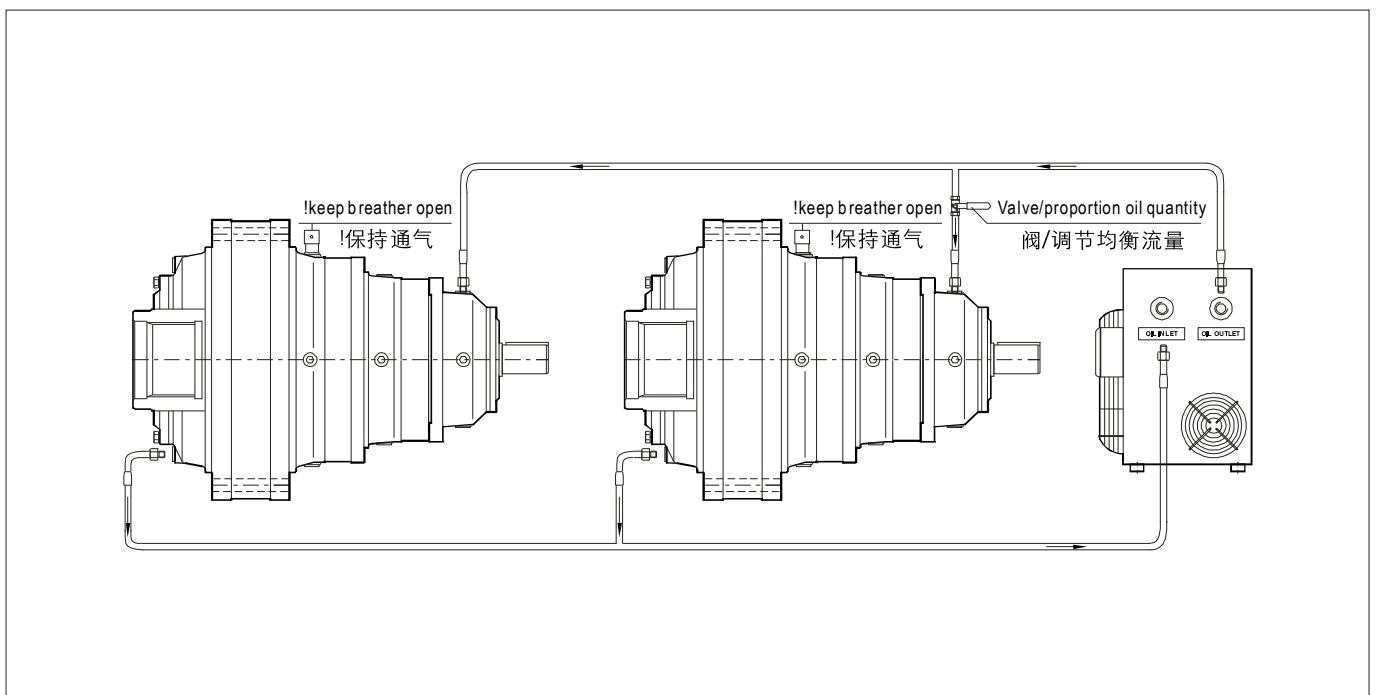
B5 水平安装,上下布局润滑

for B5 horizontal mounting position, two-piece lubricated



B5 水平安装,同水平面布局润滑

for B5 horizontal mounting position, same level lubricated





冷却系统

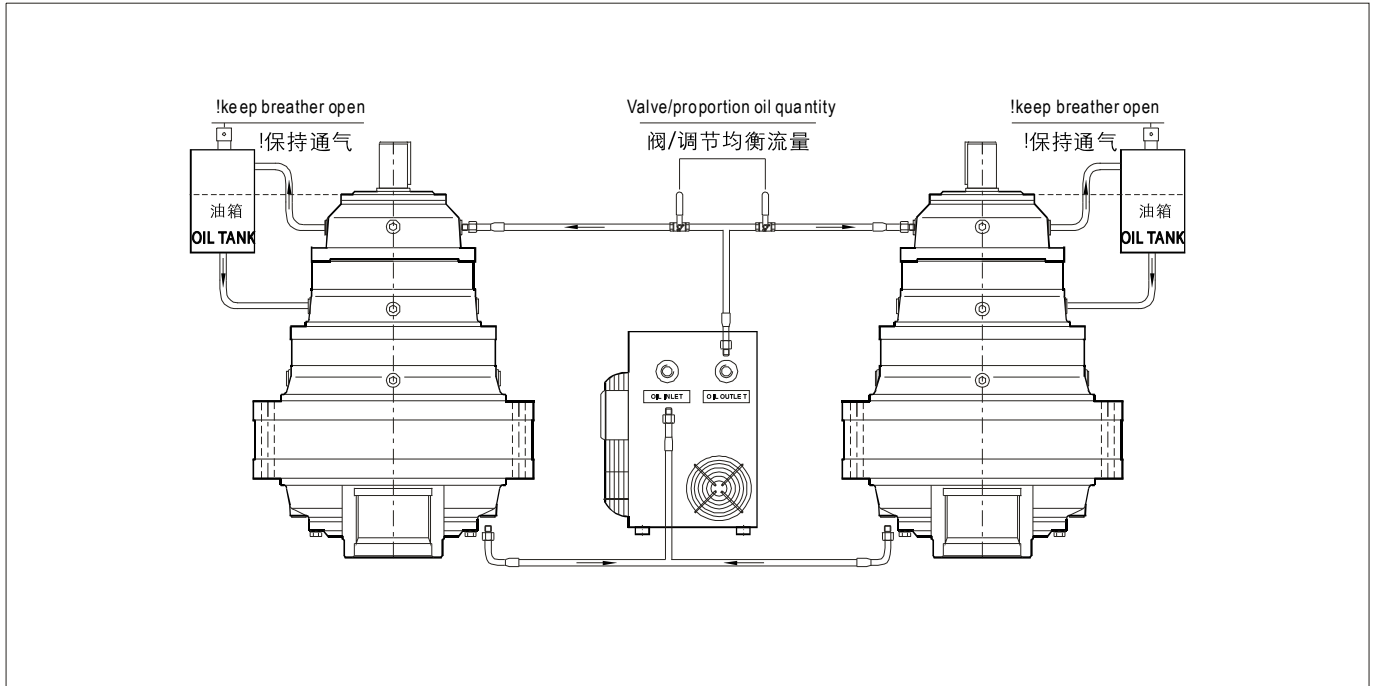
Cooling System

冷却系统安装, 一拖二

Installation for cooling system, one to two

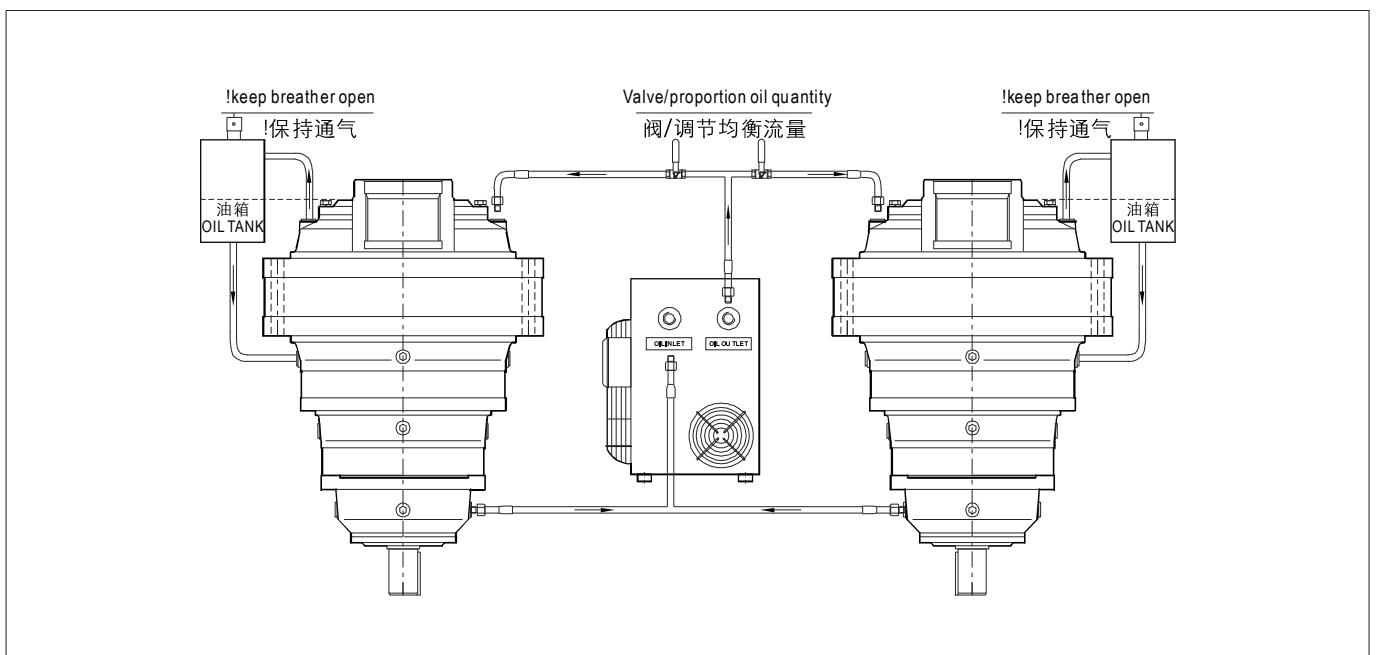
V1 立式安装, 输出轴朝下

for V1 vertical mounting position, output shaft downwards



V3 立式安装, 输出轴朝上

for V3 vertical mounting position, output shaft upwards





技术参数

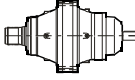
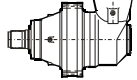
Technical Data

公称输出转矩

公称输出转矩仅用于预先快速选择机型号, 详细技术参数见相关型号.

Normal Output Torque

Normal output torque only used for a quick selection of gear unit size ,the details technical data listed in relative tables.

机型号 Gear unit size	公称输出转矩 Normal output torque T ₂ [Nm]	 页数 page	 页数 page
200	1500	24	25
201	2000	26	27
240	3500	31	32
241	4000	33	34
280	4300	39	40
281	7300	41	42
353 354	13000	47	48
355	16000	55	56
400	20000	60	61
401	23000	65	66
428	26000	70	71
429	30000	75	76
445	32000	80	81
446	43000	82	83
510	63000	87	88
542	75000	92	93
543	100000	94	95
695	150000	100	101
696	200000	105	106
810	300000	110	111
885	420000	115	116



技术参数

Technical Data

200	i	T2 [N.m]							n1 [r/min]	n1max [r/min]	T2max [N.m]	Pt [kW]
		n2xh [r/minxh]										
		10000	25000	50000	100000	500000	1000000	2000000				
1E	3.26	1830	1570	1410	1280	1160	1110	1060	1500	2000	3270	13
	3.47	1980	1730	1560	1400	1270	1220	1170	1500	2200	3600	13
	4.04	1960	1700	1520	1380	1240	1190	1130	2000	2500	3640	13
	4.43	1890	1640	1470	1320	1190	1140	1090	2000	2500	3490	13
	4.95	1540	1340	1200	1110	1000	960	910	2000	2500	2980	13
	5.67	1320	1150	1010	920	780	730	680	2000	2500	2640	13
	6.25	1260	1090	980	930	840	800	770	2000	2500	2560	13
	7	990	820	700	660	550	520	500	2000	2500	2040	13
	8	930	800	730	710	630	610	580	2000	2500	1960	13
11.5	540	470	440	430	380	370	350	2000	2500	1190	13	
2E	13.2	1830	1570	1410	1280	1160	1110	1060	2000	2500	3270	7.8
	14.4	1980	1730	1560	1400	1270	1220	1170	2000	2500	3600	7.8
	17.2	1980	1730	1560	1400	1270	1220	1170	2000	2500	3600	7.8
	21.7	1980	1730	1560	1400	1270	1220	1170	2000	2500	3600	7.8
	25.3	1960	1700	1520	1380	1240	1190	1130	2000	2500	3640	7.8
	31.0	1890	1640	1470	1320	1190	1140	1090	2000	2500	3490	7.8
	35.4	1890	1640	1470	1320	1190	1140	1090	2000	2500	3490	7.8
	39.6	1540	1340	1200	1110	1000	960	910	2000	2500	2980	7.8
	50.9	1890	1640	1470	1320	1190	1140	1090	2000	2500	3490	7.8
3E	42.9	1830	1570	1410	1280	1160	1110	1060	2000	2500	3270	6
	50.1	1830	1570	1410	1280	1160	1110	1060	2000	2500	3270	6
	58.3	1830	1570	1410	1280	1160	1110	1060	2000	2500	3270	6
	69.4	1980	1730	1560	1400	1270	1220	1170	2000	2500	3600	6
	87.6	1980	1730	1560	1400	1270	1220	1170	2000	2500	3600	6
	98.1	1980	1730	1560	1400	1270	1220	1170	2000	2500	3600	6
	123.0	1980	1730	1560	1400	1270	1220	1170	2000	2500	3600	6
	151.5	1830	1570	1410	1280	1160	1110	1060	2000	2500	3270	6
	176.8	1980	1730	1560	1400	1270	1220	1170	2000	2500	3600	6
	212.6	1830	1570	1410	1280	1160	1110	1060	2000	2500	3270	6
	249.4	1980	1730	1560	1400	1270	1220	1170	2000	2500	3600	6
	288.9	1890	1640	1470	1320	1190	1140	1090	2000	2500	3490	6
	355.8	1540	1340	1200	1110	1000	960	910	2000	2500	2980	6
398.5	1540	1340	1200	1110	1000	960	910	2000	2500	2980	6	



技术参数

Technical Data

200	i	T ₂ [N.m]							n ₁ [r/min]	n _{1max} [r/min]	T _{2max} [N.m]	P _t [kW]
		n _{2xh} [r/minxh]										
		10000	25000	50000	100000	500000	1000000	2000000				
CE	9.37	1980	1730	1560	1400	1270	1220	1170	1500	2000	3600	7.8
	12.15	1980	1730	1560	1400	1270	1220	1170	1500	2000	3600	7.8
	14.14	1960	1700	1520	1380	1240	1190	1130	1500	2000	3640	7.8
	17.33	1540	1340	1200	1110	1000	960	910	1500	2000	2980	7.8
	19.85	1320	1150	1010	920	780	730	680	1500	2000	2640	7.8
	26.09	1890	1640	1470	1320	1190	1140	1090	1500	2000	3490	7.8
	29.16	1540	1340	1200	1110	1000	960	910	1500	2000	2980	7.8
	33.40	1320	1150	1010	920	780	730	680	1500	2000	2640	7.8
C2E	35.56	1830	1570	1410	1280	1160	1110	1060	1500	2000	3270	6.5
	41.50	1980	1730	1560	1400	1270	1220	1170	1500	2000	3600	6.5
	49.07	1980	1730	1560	1400	1270	1220	1170	1500	2000	3600	6.5
	60.12	1980	1730	1560	1400	1270	1220	1170	1500	2000	3600	6.5
	70.92	1980	1730	1560	1400	1270	1220	1170	1500	2000	3600	6.5
	82.57	1980	1730	1560	1400	1270	1220	1170	1500	2000	3600	6.5
	101.17	1980	1730	1560	1400	1270	1220	1170	1500	2000	3600	6.5
	127.74	1980	1730	1560	1400	1270	1220	1170	1500	2000	3600	6.5
	148.72	1960	1700	1520	1380	1240	1190	1130	1500	2000	3640	6.5
	190.36	1960	1700	1520	1380	1240	1190	1130	1500	2000	3640	6.5
	208.74	1890	1640	1470	1320	1190	1140	1090	1500	2000	3490	6.5
	233.24	1540	1340	1200	1110	1000	960	910	1500	2000	2980	6.5



技术参数

Technical Data

201	i	T ₂ [N.m]							n ₁ [r/min]	n _{1max} [r/min]	T _{2max} [N.m]	P _t [kW]
		n _{2xh} [r/minxh]										
		10000	25000	50000	100000	500000	1000000	2000000				
1E	3.14	2430	2090	1870	1760	1590	1500	1440	1200	1500	4530	13
	3.72	2410	2060	1860	1700	1530	1460	1360	1500	2000	4620	13
	4.16	2030	1760	1570	1470	1290	1210	1130	1500	2000	4020	13
	5.85	1750	1500	1370	1310	1180	1120	1080	1500	2000	3650	13
2E	12.69	2430	2090	1870	1760	1590	1500	1440	2000	2500	4530	7.8
	15.03	2410	2060	1860	1700	1530	1460	1360	2000	2500	4620	7.8
	18.41	2410	2060	1860	1700	1530	1460	1360	2000	2500	4620	7.8
	21.09	2410	2060	1860	1700	1530	1460	1360	2000	2500	4620	7.8
	26.00	2030	1760	1570	1470	1290	1210	1130	2000	2500	4020	7.8
	29.12	2030	1760	1570	1470	1290	1210	1130	2000	2500	4020	7.8
	33.28	2030	1760	1570	1470	1290	1210	1130	2000	2500	4020	7.8
	46.80	1750	1500	1370	1310	1180	1120	1080	2000	2500	4290	7.8
3E	41.36	2430	2090	1870	1760	1590	1500	1440	2000	2500	4530	6
	48.99	2410	2060	1860	1700	1530	1460	1360	2000	2500	4620	6
	60.03	2410	2060	1860	1700	1530	1460	1360	2000	2500	4620	6
	68.76	2410	2060	1860	1700	1530	1460	1360	2000	2500	4620	6
	84.76	2030	1760	1570	1470	1290	1210	1130	2000	2500	4020	6
	101.05	2030	1760	1570	1470	1290	1210	1130	2000	2500	4020	6
	128.70	2030	1760	1570	1470	1290	1210	1130	2000	2500	4020	6
	147.42	2030	1760	1570	1470	1290	1210	1130	2000	2500	4020	6
	188.70	2030	1760	1570	1470	1290	1210	1130	2000	2500	4020	6
	208.00	2030	1760	1570	1470	1290	1210	1130	2000	2500	4020	6
	242.56	2410	2060	1860	1700	1530	1460	1360	2000	2500	4620	6
	299.00	2030	1760	1570	1470	1290	1210	1130	2000	2500	4020	6
	333.01	1750	1500	1370	1310	1180	1120	1080	2000	2500	3650	6
	420.47	1750	1500	1370	1310	1180	1120	1080	2000	2500	3650	6



技术参数

Technical Data

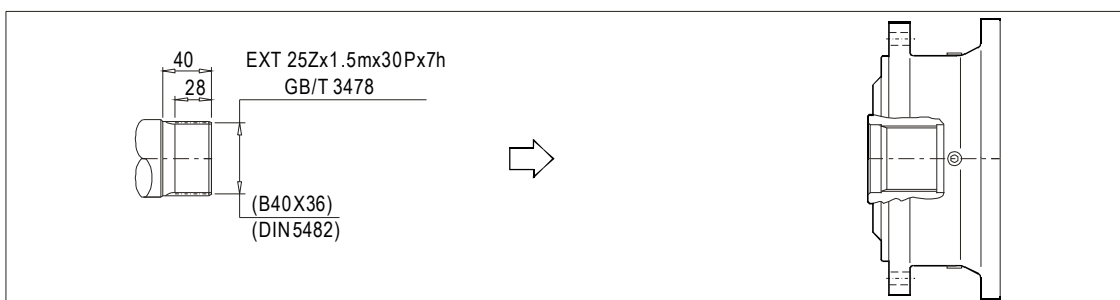
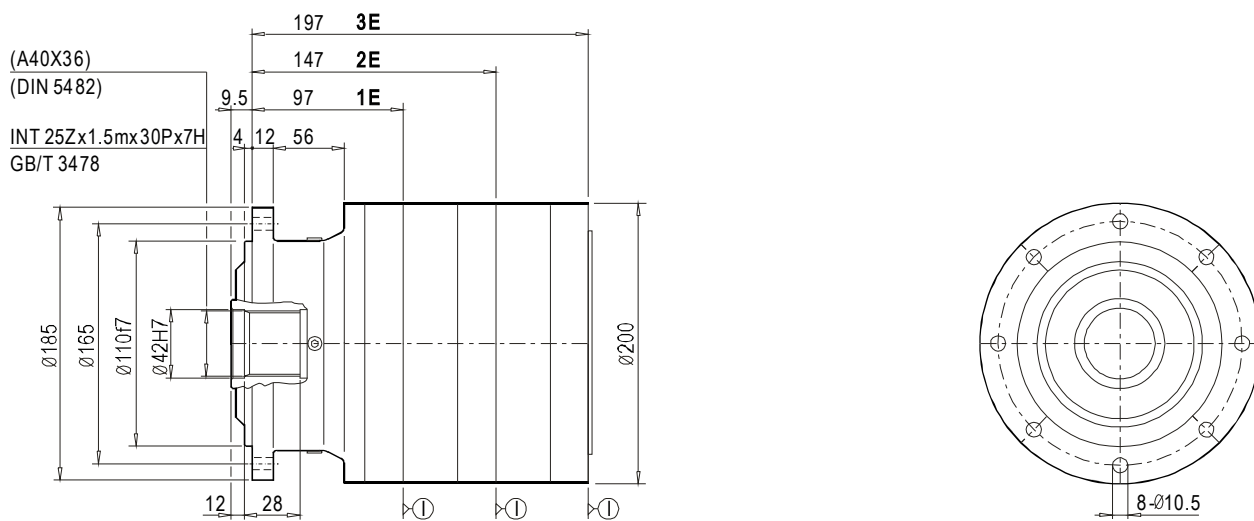
201	i	T2 [N.m]							n1 [r/min]	n1max [r/min]	T2max [N.m]	Pt [kW]
		n2xh [r/minxh]										
		10000	25000	50000	100000	500000	1000000	2000000				
CE	10.04	2410	2060	1860	1700	1530	1460	1360	1500	2000	4620	7.8
	13.02	2410	2060	1860	1700	1530	1460	1360	1500	2000	4620	7.8
	14.56	2030	1760	1570	1470	1290	1210	1130	1500	2000	4020	7.8
	20.48	1750	1500	1370	1310	1180	1120	1080	1500	2000	3650	7.8
	24.50	2030	1760	1570	1470	1290	1210	1130	1500	2000	4020	7.8
	34.46	1750	1500	1370	1310	1180	1120	1080	1500	2000	3650	7.8
C2E	38.14	2430	2090	1870	1760	1590	1500	1440	1500	2000	4530	6.5
	44.40	2430	2090	1870	1760	1590	1500	1440	1500	2000	4530	6.5
	48.69	2430	2090	1870	1760	1590	1500	1440	1500	2000	4530	6.5
	62.31	2430	2090	1870	1760	1590	1500	1440	1500	2000	4530	6.5
	68.69	2430	2090	1870	1760	1590	1500	1440	1500	2000	4530	6.5
	81.38	2410	2060	1860	1700	1530	1460	1360	1500	2000	4620	6.5
	104.16	2410	2060	1860	1700	1530	1460	1360	1500	2000	4620	6.5
	124.23	2410	2060	1860	1700	1530	1460	1360	1500	2000	4620	6.5
	153.38	2410	2060	1860	1700	1530	1460	1360	1500	2000	4620	6.5
	175.29	2410	2060	1860	1700	1530	1460	1360	1500	2000	4620	6.5
	196.02	2030	1760	1570	1470	1290	1210	1130	1500	2000	4020	6.5
	275.65	1750	1500	1370	1310	1180	1120	1080	1500	2000	3650	6.5



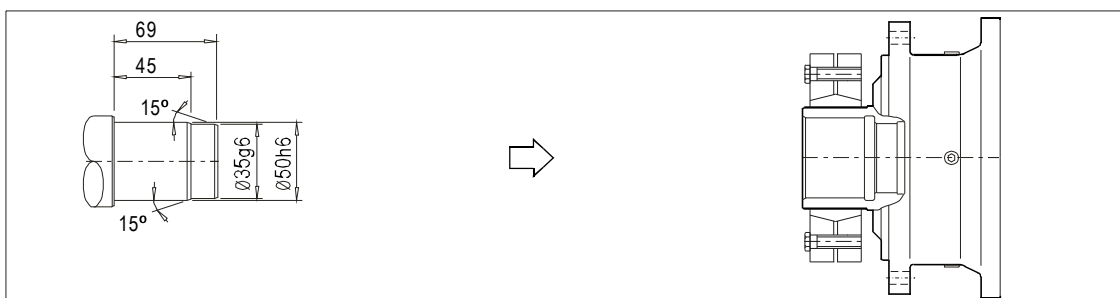
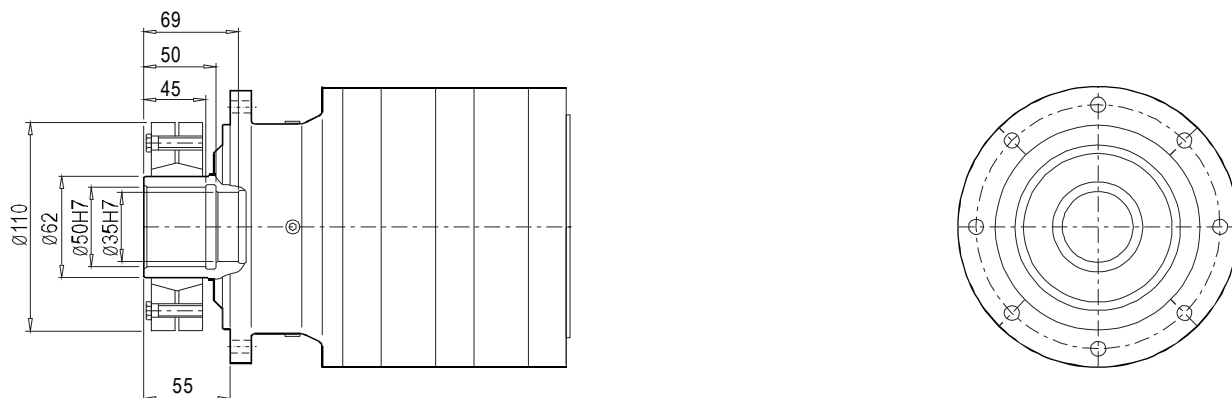
安装尺寸

Mounting Dimensions

200C1Z
201C1Z



200C1H
201C1H

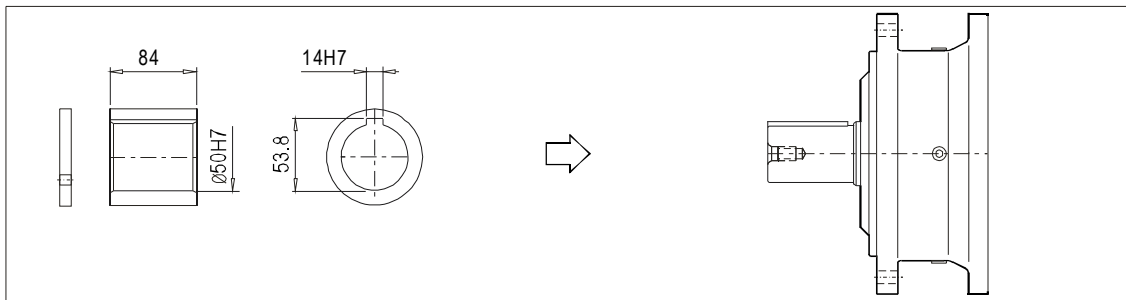
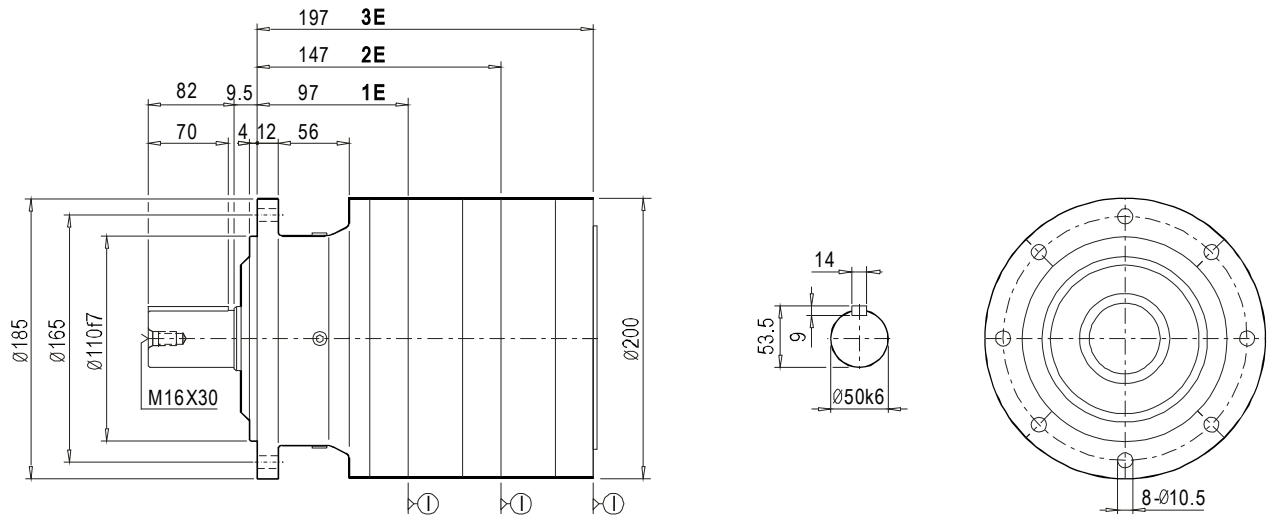




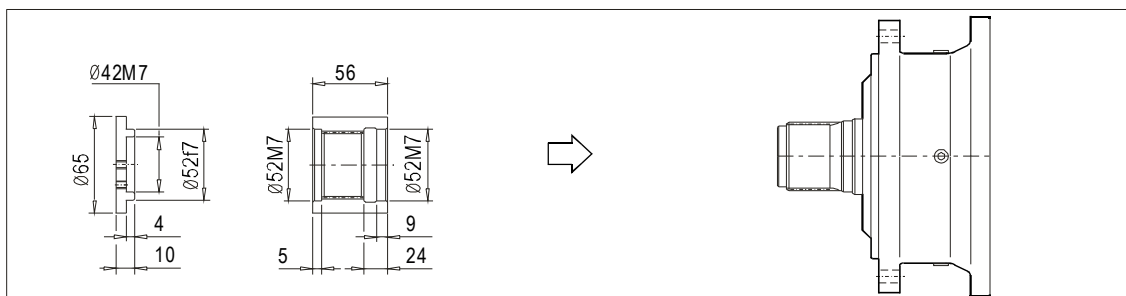
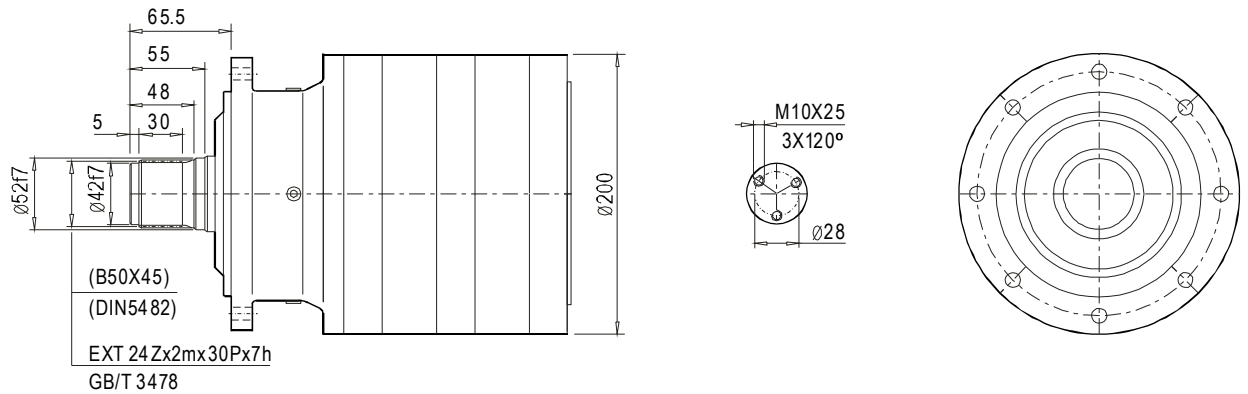
安装尺寸

Mounting Dimensions

200C1C
201C1C



200C1S
201C1S



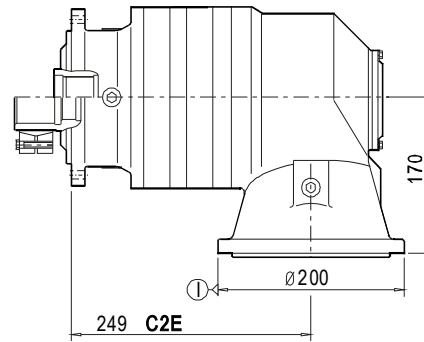
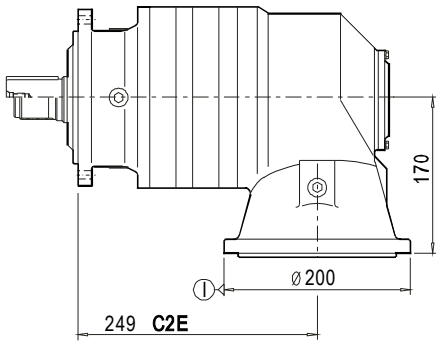
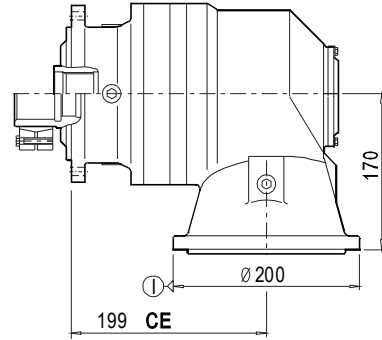
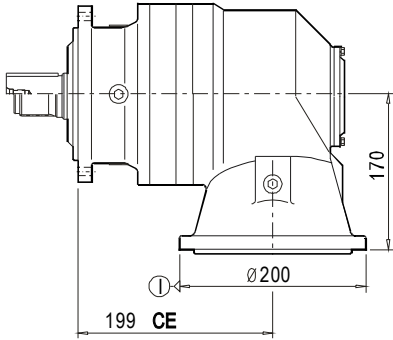


安装尺寸

Mounting Dimensions

200R1C(S)
201R1C(S)

200R1Z(H)
201R1Z(H)





技术参数

Technical Data

240	i	T2 [N.m]							n1 [r/min]	n1max [r/min]	T2max [N.m]	Pt [kW]
		n2xh [r/minxh]										
		10000	25000	50000	100000	500000	1000000	2000000				
1E	3.33	4160	3590	3220	2940	2640	2520	2410	1200	1500	7490	22
	3.55	4420	3820	3410	3100	2800	2660	2550	1200	1800	8450	22
	4.11	4230	3670	3290	2980	2680	2560	2440	1500	2000	7940	22
	4.5	4110	3550	3180	2920	2630	2510	2400	1500	2000	7800	22
	5	3300	2850	2560	2370	2140	2050	1960	1500	2000	6400	22
	5.67	2430	2100	1870	1770	1580	1480	1390	1500	2000	4830	22
	6.25	2310	2000	1800	1710	1550	1470	1410	1500	2000	4690	22
	7	1810	1570	1420	1340	1140	1060	1000	1500	2000	3750	22
	8	1670	1480	1350	1290	1160	1120	1070	1500	2000	3590	22
	9.4	1310	1140	1070	1010	920	880	820	1500	2000	2840	22
2E	13.45	4160	3590	3220	2940	2640	2520	2410	2000	2500	7490	11
	15.73	4420	3820	3410	3100	2800	2660	2550	2000	2500	8450	11
	17.57	4420	3820	3410	3100	2800	2660	2550	2000	2500	8450	11
	20.34	4230	3670	3290	2980	2680	2560	2440	2000	2500	7940	11
	25.52	4110	3550	3180	2920	2630	2510	2400	2000	2500	7800	11
	31.25	3300	2850	2560	2370	2140	2050	1960	2000	2500	6400	11
	35.00	3300	2850	2560	2370	2140	2050	1960	2000	2500	6400	11
	40.00	3300	2850	2560	2370	2140	2050	1960	2000	2500	6400	11
	50.00	2310	2000	1800	1710	1550	1470	1410	2000	2500	4690	11
	3E	43.86	4160	3590	3220	2940	2640	2520	2410	2000	2500	7490
48.09		4160	3590	3220	2940	2640	2520	2410	2000	2500	7490	8.4
61.55		4160	3590	3220	2940	2640	2520	2410	2000	2500	7490	8.4
72.33		4420	3820	3410	3100	2800	2660	2550	2000	2500	8450	8.4
86.23		4420	3820	3410	3100	2800	2660	2550	2000	2500	8450	8.4
98.55		4420	3820	3410	3100	2800	2660	2550	2000	2500	8450	8.4
125.81		4420	3820	3410	3100	2800	2660	2550	2000	2500	8450	8.4
151.05		4160	3590	3220	2940	2640	2520	2410	2000	2500	7490	8.4
186.43		4230	3670	3290	2980	2680	2560	2440	2000	2500	7940	8.4
204.12		4230	3670	3290	2980	2680	2560	2440	2000	2500	7940	8.4
250.00		3300	2850	2560	2370	2140	2050	1960	2000	2500	6400	8.4
293.42		4230	3670	3290	2980	2680	2560	2440	2000	2500	7940	8.4
359.38		3300	2850	2560	2370	2140	2050	1960	2000	2500	6400	8.4
407.53		2430	2100	1870	1770	1580	1480	1390	2000	2500	4830	8.4
4E	292.22	4420	3820	3410	3100	2800	2660	2550	2000	2500	8450	7
	358.88	4420	3820	3410	3100	2800	2660	2550	2000	2500	8450	7
	436.57	4420	3820	3410	3100	2800	2660	2550	2000	2500	8450	7
	487.81	4420	3820	3410	3100	2800	2660	2550	2000	2500	8450	7
	610.24	4160	3590	3220	2940	2640	2520	2410	2000	2500	7490	7
	713.35	4420	3820	3410	3100	2800	2660	2550	2000	2500	8450	7
	878.63	4420	3820	3410	3100	2800	2660	2550	2000	2500	8450	7
	1030.83	4420	3820	3410	3100	2800	2660	2550	2000	2500	8450	7
	1263.02	4420	3820	3410	3100	2800	2660	2550	2000	2500	8450	7
	1462.26	4230	3670	3290	2980	2680	2560	2440	2000	2500	7940	7
	1875.95	4230	3670	3290	2980	2680	2560	2440	2000	2500	7940	7
	2143.94	4230	3670	3290	2980	2680	2560	2440	2000	2500	7940	7
	2587.50	4110	3550	3180	2920	2630	2510	2400	2000	2500	7800	7



技术参数

Technical Data

240	i	T2 [N.m]							n1 [r/min]	n1max [r/min]	T2max [N.m]	Pt [kW]
		n2xh [r/minxh]										
		10000	25000	50000	100000	500000	1000000	2000000				
CE	15.31	2430	2100	1870	1770	1580	1480	1390	1500	2000	4830	11
	19.85	2430	2100	1870	1770	1580	1480	1390	1500	2000	4830	11
	21.88	2310	2000	1800	1710	1550	1470	1410	1500	2000	4690	11
	24.50	1810	1570	1420	1340	1140	1060	1000	1500	2000	3750	11
	28.00	1670	1480	1350	1290	1160	1120	1070	1500	2000	3590	11
	36.81	2310	2000	1800	1710	1550	1470	1410	1500	2000	4690	11
C2E	33.26	4420	3820	3410	3100	2800	2660	2550	1500	2000	8450	8.3
	42.46	4420	3820	3410	3100	2800	2660	2550	1500	2000	8450	8.3
	50.20	4420	3820	3410	3100	2800	2660	2550	1500	2000	8450	8.3
	61.50	4420	3820	3410	3100	2800	2660	2550	1500	2000	8450	8.3
	70.45	4420	3820	3410	3100	2800	2660	2550	1500	2000	8450	8.3
	81.56	4230	3670	3290	2980	2680	2560	2440	1500	2000	7940	8.3
	103.50	4420	3820	3410	3100	2800	2660	2550	1500	2000	8450	8.3
	119.83	4230	3670	3290	2980	2680	2560	2440	1500	2000	7940	8.3
	150.28	4110	3550	3180	2920	2630	2510	2400	1500	2000	7800	8.3
	184.06	3300	2850	2560	2370	2140	2050	1960	1500	2000	6400	8.3
	206.15	3300	2850	2560	2370	2140	2050	1960	1500	2000	6400	8.3
	235.60	3300	2850	2560	2370	2140	2050	1960	1500	2000	6400	8.3
	294.50	2310	2000	1800	1710	1550	1470	1410	1500	2000	4690	8.3
C3E	258.32	4160	3590	3220	2940	2640	2520	2410	1500	2000	7490	7.2
	283.26	4160	3590	3220	2940	2640	2520	2410	1500	2000	7490	7.2
	362.54	4160	3590	3220	2940	2640	2520	2410	1500	2000	7490	7.2
	426.03	4420	3820	3410	3100	2800	2660	2550	1500	2000	8450	7.2
	507.89	4420	3820	3410	3100	2800	2660	2550	1500	2000	8450	7.2
	580.45	4420	3820	3410	3100	2800	2660	2550	1500	2000	8450	7.2
	741.03	4420	3820	3410	3100	2800	2660	2550	1500	2000	8450	7.2
	889.68	4160	3590	3220	2940	2640	2520	2410	1500	2000	7490	7.2
	1098.07	4230	3670	3290	2980	2680	2560	2440	1500	2000	7940	7.2
	1202.27	4230	3670	3290	2980	2680	2560	2440	1500	2000	7940	7.2
	1472.50	3300	2850	2560	2370	2140	2050	1960	1500	2000	6400	7.2



技术参数

Technical Data

241	i	T2 [N.m]							n1 [r/min]	n1max [r/min]	T2max [N.m]	Pt [kW]
		n2xh [r/minxh]										
		10000	25000	50000	100000	500000	1000000	2000000				
1E	3.33	5060	4350	3990	3830	3440	3240	3160	1200	1500	9600	22
	4	5420	4690	4190	3910	3520	3370	3210	1500	2000	10570	22
	4.5	5240	4540	4070	3810	3440	3280	3140	1500	2000	10270	22
	5.2	4440	3830	3450	3290	2970	2840	2720	1500	2000	9040	22
	6.25	3300	2860	2620	2500	2260	2160	2060	1500	2000	6960	22
2E	12.39	5060	4350	3990	3830	3440	3240	3160	2000	2500	9600	11
	14.88	5420	4690	4190	3910	3520	3370	3210	2000	2500	10570	11
	16.64	5420	4690	4190	3910	3520	3370	3210	2000	2500	10570	11
	19.48	5060	4350	3990	3830	3440	3240	3160	2000	2500	9600	11
	23.40	5420	4690	4190	3910	3520	3370	3210	2000	2500	10570	11
	29.48	4440	3830	3450	3290	2970	2840	2720	2000	2500	9040	11
	32.50	4440	3830	3450	3290	2970	2840	2720	2000	2500	9040	11
	43.75	3300	2860	2620	2500	2260	2160	2060	2000	2500	6960	11
	50.00	3300	2860	2620	2500	2260	2160	2060	2000	2500	6960	11
3E	42.24	5060	4350	3990	3830	3440	3240	3160	2000	2500	9600	8.4
	51.76	5060	4350	3990	3830	3440	3240	3160	2000	2500	9600	8.4
	59.29	5060	4350	3990	3830	3440	3240	3160	2000	2500	9600	8.4
	71.22	5420	4690	4190	3910	3520	3370	3210	2000	2500	10570	8.4
	84.37	5420	4690	4190	3910	3520	3370	3210	2000	2500	10570	8.4
	104.00	5420	4690	4190	3910	3520	3370	3210	2000	2500	10570	8.4
	119.04	5420	4690	4190	3910	3520	3370	3210	2000	2500	10570	8.4
	149.76	5240	4540	4070	3810	3440	3280	3140	2000	2500	10270	8.4
	187.20	5420	4690	4190	3910	3520	3370	3210	2000	2500	10570	8.4
	210.60	5240	4540	4070	3810	3440	3280	3140	2000	2500	10270	8.4
	269.10	5420	4690	4190	3910	3520	3370	3210	2000	2500	10570	8.4
	302.74	5240	4540	4070	3810	3440	3280	3140	2000	2500	10270	8.4
	349.83	4440	3830	3450	3290	2970	2840	2720	2000	2500	9040	8.4
	420.47	3300	2860	2620	2500	2260	2160	2060	2000	2500	6960	8.4
4E	305.08	5420	4690	4190	3910	3520	3370	3210	2000	2500	10570	7
	361.44	5420	4690	4190	3910	3520	3370	3210	2000	2500	10570	7
	413.07	5420	4690	4190	3910	3520	3370	3210	2000	2500	10570	7
	480.92	5420	4690	4190	3910	3520	3370	3210	2000	2500	10570	7
	589.72	5420	4690	4190	3910	3520	3370	3210	2000	2500	10570	7
	754.79	5420	4690	4190	3910	3520	3370	3210	2000	2500	10570	7
	849.14	5240	4540	4070	3810	3440	3280	3140	2000	2500	10270	7
	1042.47	5240	4540	4070	3810	3440	3280	3140	2000	2500	10270	7
	1194.10	5240	4540	4070	3810	3440	3280	3140	2000	2500	10270	7
	1498.55	5240	4540	4070	3810	3440	3280	3140	2000	2500	10270	7
	1716.52	5240	4540	4070	3810	3440	3280	3140	2000	2500	10270	7
	2119.16	4440	3830	3450	3290	2970	2840	2720	2000	2500	9040	7
	2490.47	3300	2860	2620	2500	2260	2160	2060	2000	2500	6960	7
	2852.72	3300	2860	2620	2500	2260	2160	2060	2000	2500	6960	7



技术参数

Technical Data

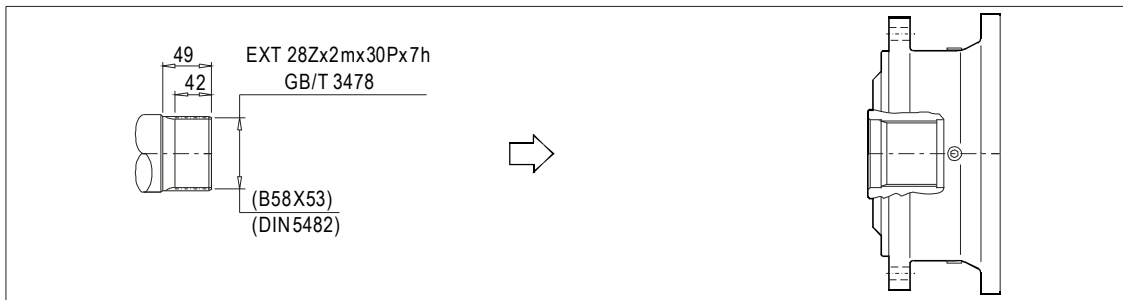
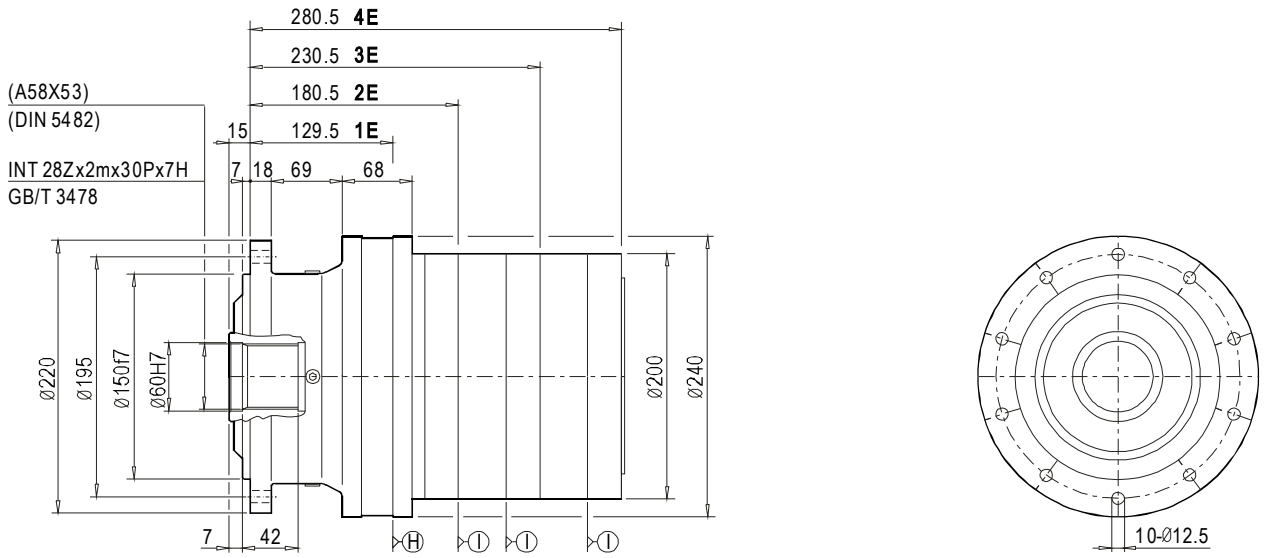
241	i	T2 [N.m]							n1 [r/min]	n1max [r/min]	T2max [N.m]	Pt [kW]
		n2xh [r/minxh]										
		10000	25000	50000	100000	500000	1000000	2000000				
CE	16.88	3300	2860	2620	2500	2260	2160	2060	1500	2000	6960	11
	21.88	3300	2860	2620	2500	2260	2160	2060	1500	2000	6960	11
C2E	33.45	5060	4350	3990	3830	3440	3240	3160	1500	2000	9600	8.3
	44.93	5420	4690	4190	3910	3520	3370	3210	1500	2000	10570	8.3
	52.60	5060	4350	3990	3830	3440	3240	3160	1500	2000	9600	8.3
	58.24	5420	4690	4190	3910	3520	3370	3210	1500	2000	10570	8.3
	68.18	5060	4350	3990	3830	3440	3240	3160	1500	2000	9600	8.3
	81.90	5420	4690	4190	3910	3520	3370	3210	1500	2000	10570	8.3
	103.19	4440	3830	3450	3290	2970	2840	2720	1500	2000	9040	8.3
	113.75	4440	3830	3450	3290	2970	2840	2720	1500	2000	9040	8.3
	153.13	3300	2860	2620	2500	2260	2160	2060	1500	2000	6960	8.3
	173.66	4440	3830	3450	3290	2970	2840	2720	1500	2000	9040	8.3
	191.43	4440	3830	3450	3290	2970	2840	2720	1500	2000	9040	8.3
	257.69	3300	2860	2620	2500	2260	2160	2060	1500	2000	6960	8.3
294.50	3300	2860	2620	2500	2260	2160	2060	1500	2000	6960	8.3	
C3E	248.81	5060	4350	3990	3830	3440	3240	3160	1500	2000	9600	7.2
	304.86	5060	4350	3990	3830	3440	3240	3160	1500	2000	9600	7.2
	349.20	5060	4350	3990	3830	3440	3240	3160	1500	2000	9600	7.2
	419.46	5420	4690	4190	3910	3520	3370	3210	1500	2000	10570	7.2
	496.94	5420	4690	4190	3910	3520	3370	3210	1500	2000	10570	7.2
	612.56	5420	4690	4190	3910	3520	3370	3210	1500	2000	10570	7.2
	701.15	5420	4690	4190	3910	3520	3370	3210	1500	2000	10570	7.2
	882.09	5240	4540	4070	3810	3440	3280	3140	1500	2000	10270	7.2
	1102.61	5420	4690	4190	3910	3520	3370	3210	1500	2000	10570	7.2
	1240.43	5240	4540	4070	3810	3440	3280	3140	1500	2000	10270	7.2



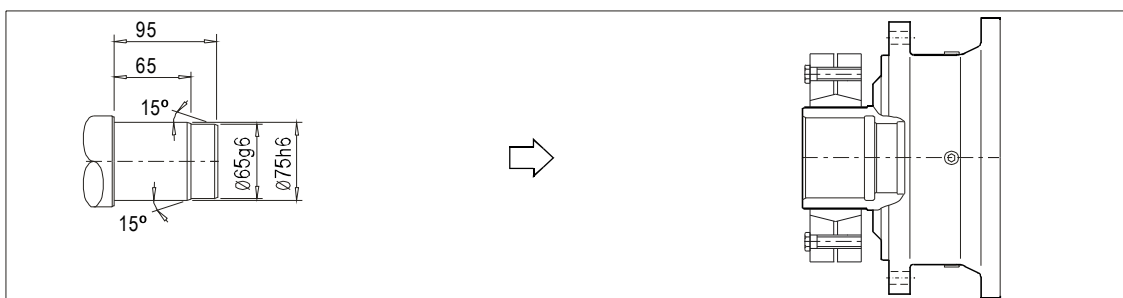
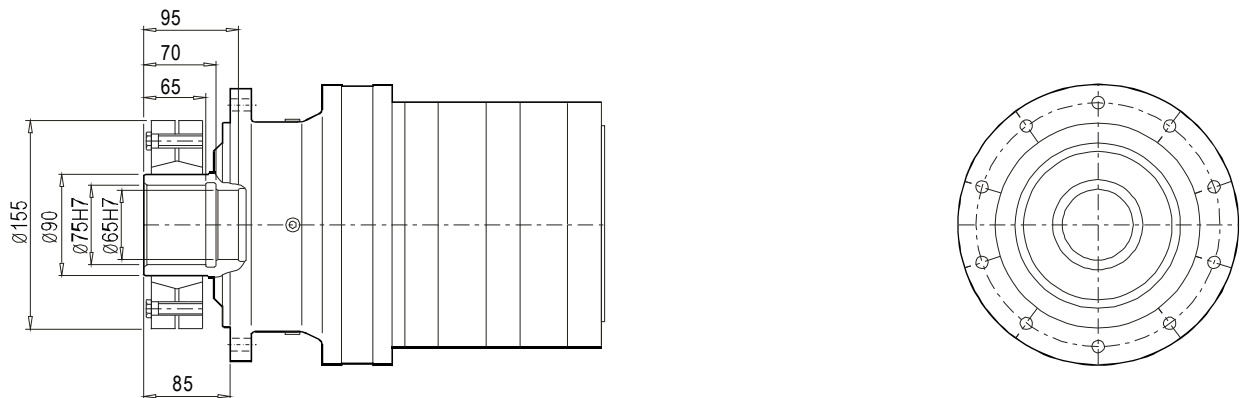
安装尺寸

Mounting Dimensions

240C1Z
241C1Z



240C1H
241C1H

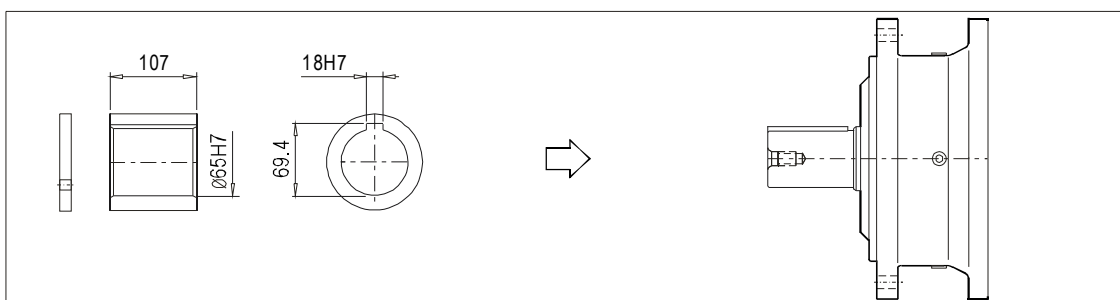
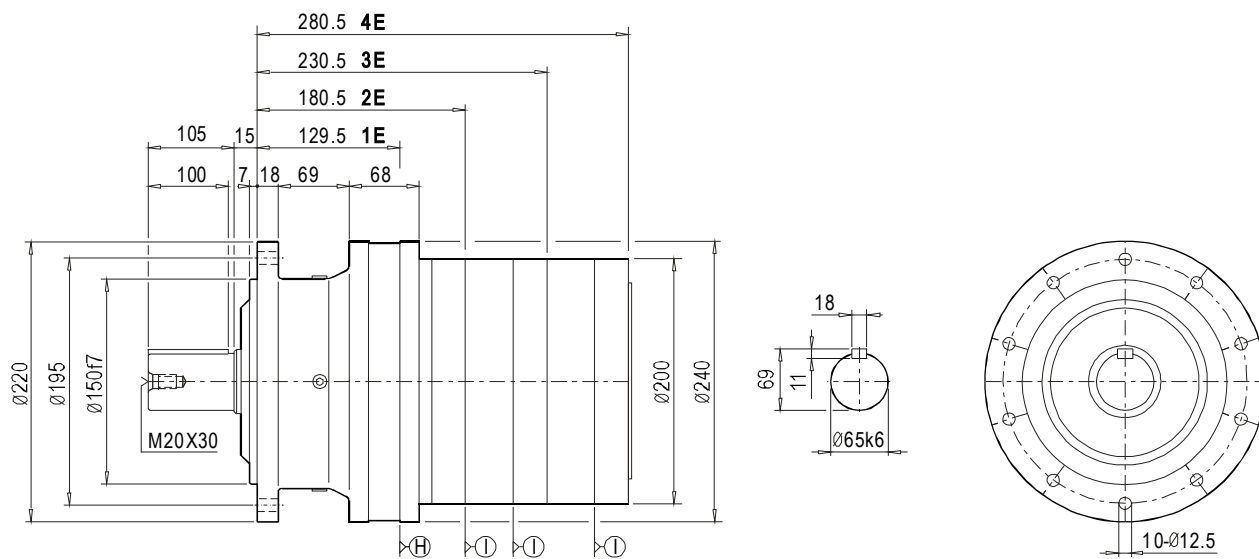




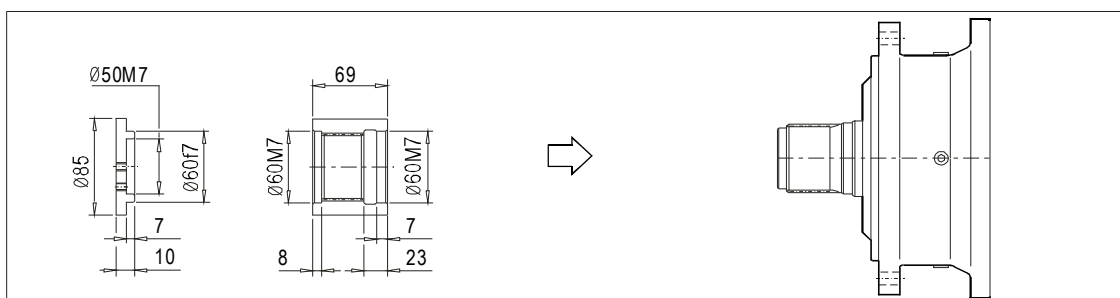
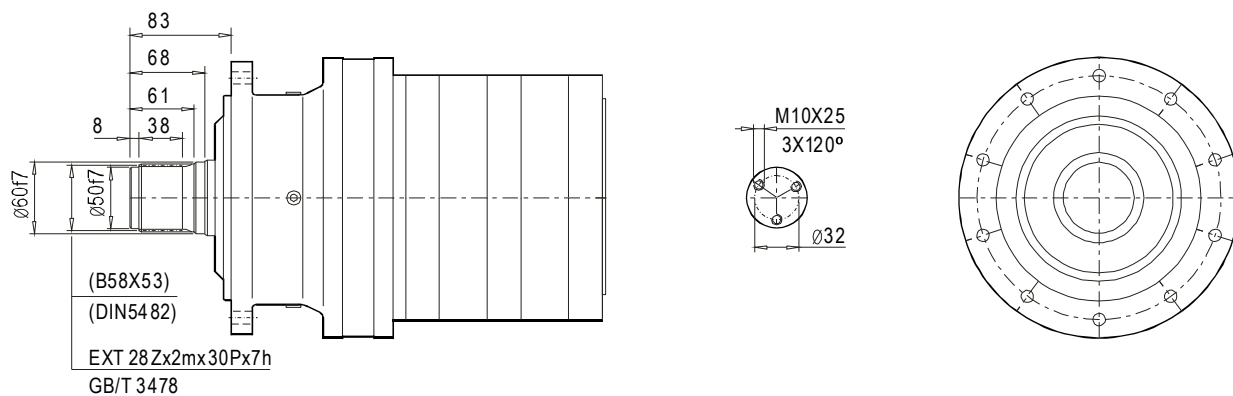
安装尺寸

Mounting Dimensions

240C1C
241C1C



240C1S
241C1S

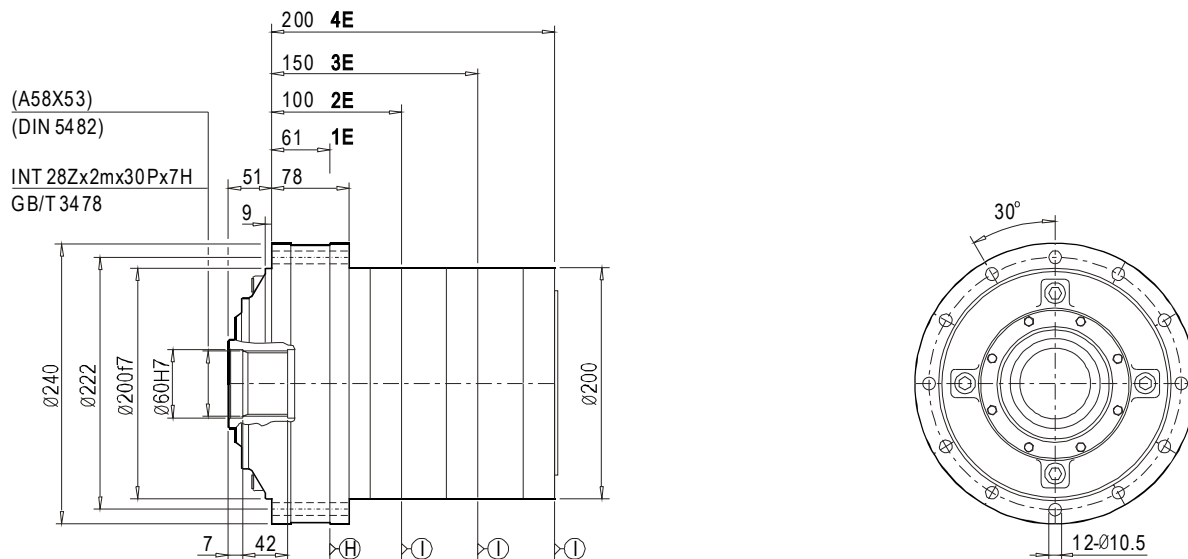




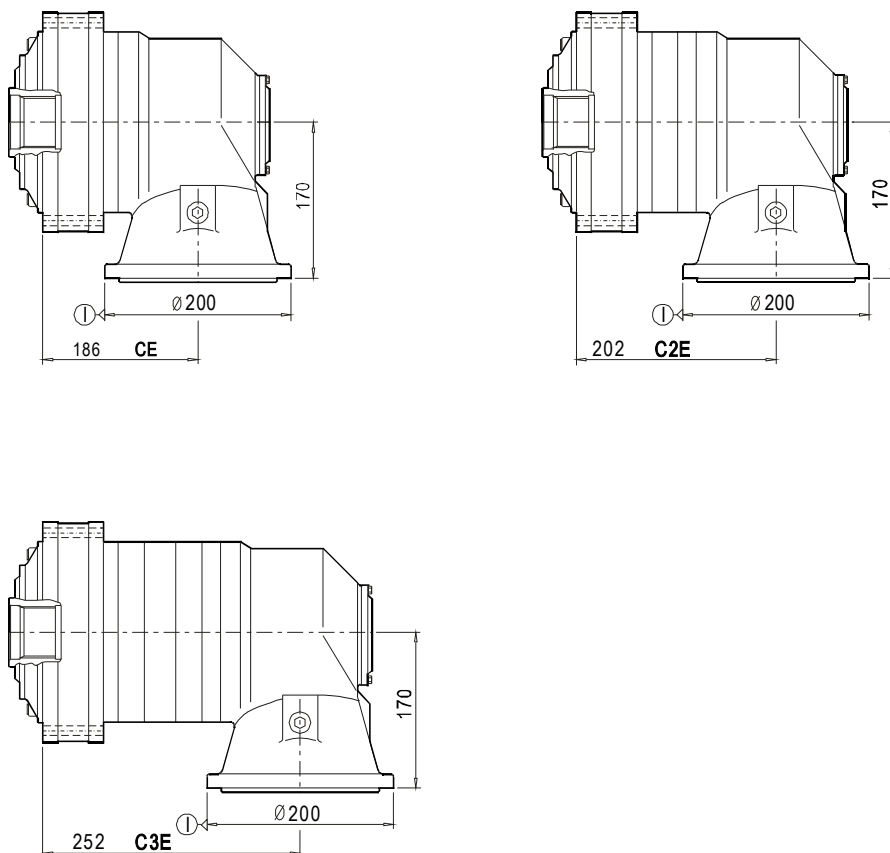
安装尺寸

Mounting Dimensions

240C2Z
241C2Z



240R2Z
241R2Z



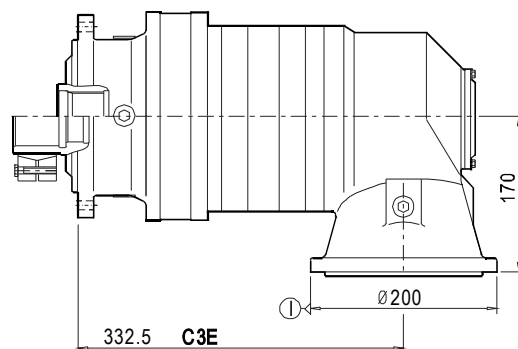
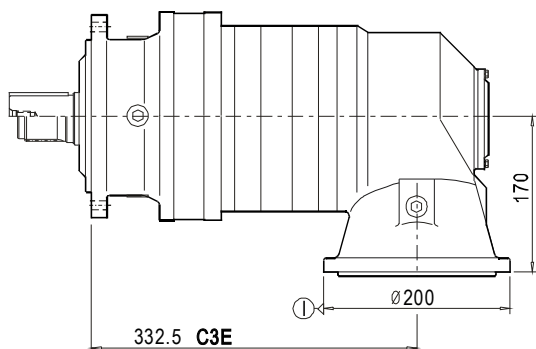
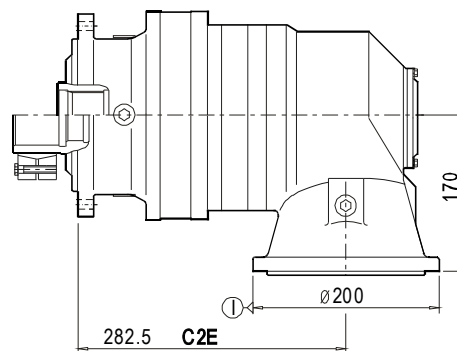
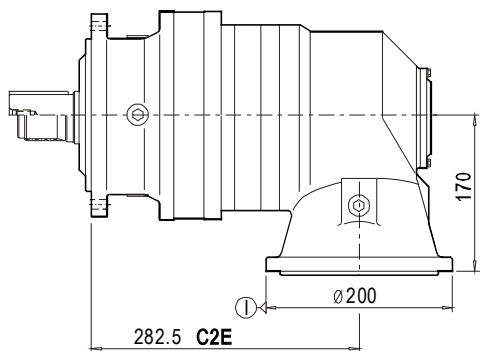
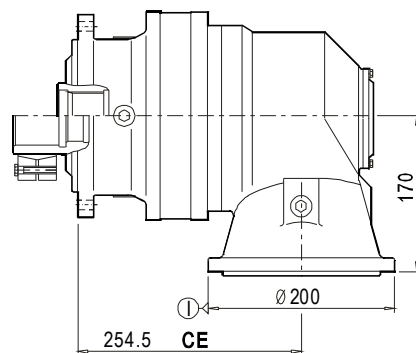
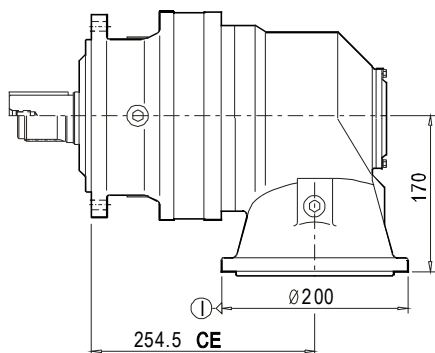


安装尺寸

Mounting Dimensions

240R1C(S)
241R1C(S)

240R1Z(H)
241R1Z(H)





技术参数

Technical Data

280	i	T2 [N.m]							n1 [r/min]	n1max [r/min]	T2max [N.m]	Pt [kW]
		n2xh [r/minxh]										
		10000	25000	50000	100000	500000	1000000	2000000				
1E	3.15	5280	4550	4060	3740	3350	3200	3050	1200	1500	9390	31
	3.33	5070	4400	3930	3610	3230	3060	2930	1200	1500	9160	31
	3.55	5450	4700	4200	3820	3440	3270	3140	1200	1800	9930	31
	4.11	5320	4600	4110	3710	3350	3210	3060	1500	2000	9860	31
	4.5	5110	4430	3970	3570	3230	3090	2960	1500	2000	9430	31
	5	4150	3590	3220	3000	2710	2590	2470	1500	2000	8000	31
	5.65	3700	3210	2880	2700	2430	2330	2220	1500	2000	7400	31
	6.26	3500	3040	2730	2590	2330	2240	2130	1500	2000	7100	31
	7.05	2750	2380	2130	2050	1850	1760	1680	1500	2000	5640	31
8.12	2550	2200	2030	1940	1750	1680	1610	1500	2000	5390	31	
2E	12.95	5280	4550	4060	3740	3350	3200	3050	1500	2000	9390	17
	14.59	5450	4700	4200	3820	3440	3270	3140	1500	2000	9930	17
	17.75	5450	4700	4200	3820	3440	3270	3140	1500	2000	9930	17
	22.19	5450	4700	4200	3820	3440	3270	3140	1500	2000	9930	17
	25.69	5320	4600	4110	3710	3350	3210	3060	1500	2000	9860	17
	28.77	5320	4600	4110	3710	3350	3210	3060	1500	2000	9860	17
	36.00	5110	4430	3970	3570	3230	3090	2960	1500	2000	9430	17
	40.00	4150	3590	3220	3000	2710	2590	2470	1500	2000	8000	17
	45.20	3700	3210	2880	2700	2430	2330	2220	1500	2000	7400	17
3E	42.38	5280	4550	4060	3740	3350	3200	3050	2000	2500	9390	12
	49.54	5280	4550	4060	3740	3350	3200	3050	2000	2500	9390	12
	59.48	5280	4550	4060	3740	3350	3200	3050	2000	2500	9390	12
	71.46	5450	4700	4200	3820	3440	3270	3140	2000	2500	9930	12
	82.73	5450	4700	4200	3820	3440	3270	3140	2000	2500	9930	12
	99.84	5450	4700	4200	3820	3440	3270	3140	2000	2500	9930	12
	125.80	5450	4700	4200	3820	3440	3270	3140	2000	2500	9930	12
	155.31	5450	4700	4200	3820	3440	3270	3140	2000	2500	9930	12
	179.81	5320	4600	4110	3710	3350	3210	3060	2000	2500	9860	12
	205.50	5320	4600	4110	3710	3350	3210	3060	2000	2500	9860	12
	250.00	4150	3590	3220	3000	2710	2590	2470	2000	2500	8000	12
	295.41	5320	4600	4110	3710	3350	3210	3060	2000	2500	9860	12
359.38	4150	3590	3220	3000	2710	2590	2470	2000	2500	8000	12	
4E	255.18	5280	4550	4060	3740	3350	3200	3050	2000	2500	9390	9.4
	296.64	5280	4550	4060	3740	3350	3200	3050	2000	2500	9390	9.4
	356.40	5450	4700	4200	3820	3440	3270	3140	2000	2500	9930	9.4
	412.62	5450	4700	4200	3820	3440	3270	3140	2000	2500	9930	9.4
	495.38	5450	4700	4200	3820	3440	3270	3140	2000	2500	9930	9.4
	615.04	5450	4700	4200	3820	3440	3270	3140	2000	2500	9930	9.4
	702.90	5450	4700	4200	3820	3440	3270	3140	2000	2500	9930	9.4
	830.56	5450	4700	4200	3820	3440	3270	3140	2000	2500	9930	9.4
	1010.42	5450	4700	4200	3820	3440	3270	3140	2000	2500	9930	9.4
	1205.97	5320	4600	4110	3710	3350	3210	3060	2000	2500	9860	9.4
	1519.52	5320	4600	4110	3710	3350	3210	3060	2000	2500	9860	9.4
	1833.89	5110	4430	3970	3570	3230	3090	2960	2000	2500	9430	9.4
	2021.48	5110	4430	3970	3570	3230	3090	2960	2000	2500	9430	9.4
	2515.63	4150	3590	3220	3000	2710	2590	2470	2000	2500	8000	9.4



技术参数

Technical Data

280	i	T2 [N.m]							n1 [r/min]	n1max [r/min]	T2max [N.m]	Pt [kW]
		n2xh [r/minxh]										
		10000	25000	50000	100000	500000	1000000	2000000				
CE	8.97	5280	4550	4060	3740	3350	3200	3050	1500	2000	9390	15
	9.48	5070	4400	3930	3610	3230	3060	2930	1500	2000	9160	15
	12.81	5110	4430	3970	3570	3230	3090	2960	1500	2000	9430	15
	14.23	4150	3590	3220	3000	2710	2590	2470	1500	2000	8000	15
	18.38	5110	4430	3970	3570	3230	3090	2960	1500	2000	9430	15
	20.42	4150	3590	3220	3000	2710	2590	2470	1500	2000	8000	15
	23.07	3700	3210	2880	2700	2430	2330	2220	1500	2000	7400	15
	29.44	4150	3590	3220	3000	2710	2590	2470	1500	2000	8000	15
	36.86	3500	3040	2730	2590	2330	2240	2130	1500	2000	7100	15
C2E	34.96	5280	4550	4060	3740	3350	3200	3050	1500	2000	9390	12
	39.39	5450	4700	4200	3820	3440	3270	3140	1500	2000	9930	12
	47.93	5450	4700	4200	3820	3440	3270	3140	1500	2000	9930	12
	59.91	5450	4700	4200	3820	3440	3270	3140	1500	2000	9930	12
	76.25	5450	4700	4200	3820	3440	3270	3140	1500	2000	9930	12
	85.94	5450	4700	4200	3820	3440	3270	3140	1500	2000	9930	12
	104.55	5450	4700	4200	3820	3440	3270	3140	1500	2000	9930	12
	130.68	5450	4700	4200	3820	3440	3270	3140	1500	2000	9930	12
	151.30	5320	4600	4110	3710	3350	3210	3060	1500	2000	9860	12
	169.46	5320	4600	4110	3710	3350	3210	3060	1500	2000	9860	12
	212.04	5110	4430	3970	3570	3230	3090	2960	1500	2000	9430	12
	235.60	4150	3590	3220	3000	2710	2590	2470	1500	2000	8000	12
	266.23	3700	3210	2880	2700	2430	2330	2220	1500	2000	7400	12
C3E	249.60	5280	4550	4060	3740	3350	3200	3050	1500	2000	9390	8.3
	291.78	5280	4550	4060	3740	3350	3200	3050	1500	2000	9390	8.3
	350.31	5280	4550	4060	3740	3350	3200	3050	1500	2000	9390	8.3
	420.88	5450	4700	4200	3820	3440	3270	3140	1500	2000	9930	8.3
	487.27	5450	4700	4200	3820	3440	3270	3140	1500	2000	9930	8.3
	588.08	5450	4700	4200	3820	3440	3270	3140	1500	2000	9930	8.3
	740.98	5450	4700	4200	3820	3440	3270	3140	1500	2000	9930	8.3
	914.79	5450	4700	4200	3820	3440	3270	3140	1500	2000	9930	8.3
	1059.10	5320	4600	4110	3710	3350	3210	3060	1500	2000	9860	8.3
	1210.40	5320	4600	4110	3710	3350	3210	3060	1500	2000	9860	8.3
	1472.50	4150	3590	3220	3000	2710	2590	2470	1500	2000	8000	8.3



技术参数

Technical Data

281	i	T2 [N.m]							n1 [r/min]	n1max [r/min]	T2max [N.m]	Pt [kW]
		n2xh [r/minxh]										
		10000	25000	50000	100000	500000	1000000	2000000				
1E	3.33	6460	5610	5000	4720	4220	4030	3860	1200	1500	12240	31
	4.5	6550	5660	5080	4700	4240	4070	3880	1500	2000	12660	31
	5.2	5550	4820	4320	4140	3730	3570	3410	1500	2000	11340	31
	5.65	4740	4100	3700	3530	3180	3050	2920	1500	2000	9860	31
	6.26	4470	3890	3550	3400	3060	2910	2790	1500	2000	9500	31
2E	13.69	9110	7870	7210	6880	6180	5890	5620	1500	2000	18390	17
	14.99	9110	7870	7210	6880	6180	5890	5620	1500	2000	18390	17
	17.32	9110	7870	7210	6880	6180	5890	5620	1500	2000	18390	17
	20.81	9110	7870	7210	6880	6180	5890	5620	1500	2000	18390	17
	26.44	8410	7080	6560	6150	5540	5050	4820	1500	2000	16000	17
	31.50	6550	5660	5080	4700	4240	4070	3880	1500	2000	12660	17
	36.40	5550	4820	4320	4140	3730	3570	3410	1500	2000	11340	17
	41.60	5550	4820	4320	4140	3730	3570	3410	1500	2000	11340	17
3E	44.80	9110	7870	7210	6880	6180	5890	5620	2000	2500	18390	12
	49.12	9110	7870	7210	6880	6180	5890	5620	2000	2500	18390	12
	58.52	9110	7870	7210	6880	6180	5890	5620	2000	2500	18390	12
	74.18	9110	7870	7210	6880	6180	5890	5620	2000	2500	18390	12
	85.71	9110	7870	7210	6880	6180	5890	5620	2000	2500	18390	12
	98.18	9110	7870	7210	6880	6180	5890	5620	2000	2500	18390	12
	130.08	9110	7870	7210	6880	6180	5890	5620	2000	2500	18390	12
	149.90	8410	7080	6560	6150	5540	5050	4820	2000	2500	16000	12
	185.06	8410	7080	6560	6150	5540	5050	4820	2000	2500	16000	12
	211.50	8410	7080	6560	6150	5540	5050	4820	2000	2500	16000	12
	252.00	6550	5660	5080	4700	4240	4070	3880	2000	2500	12660	12
	293.42	6550	5660	5080	4700	4240	4070	3880	2000	2500	12660	12
	293.42	6550	5660	5080	4700	4240	4070	3880	2000	2500	12660	12
418.6	5550	4820	4320	4140	3730	3570	3410	2000	2500	11340	12	
4E	221.76	9110	7870	7210	6880	6180	5890	5620	2000	2500	18390	9.4
	254.01	9110	7870	7210	6880	6180	5890	5620	2000	2500	18390	9.4
	298.49	9110	7870	7210	6880	6180	5890	5620	2000	2500	18390	9.4
	366.58	9110	7870	7210	6880	6180	5890	5620	2000	2500	18390	9.4
	424.41	9110	7870	7210	6880	6180	5890	5620	2000	2500	18390	9.4
	485.04	9110	7870	7210	6880	6180	5890	5620	2000	2500	18390	9.4
	593.41	9110	7870	7210	6880	6180	5890	5620	2000	2500	18390	9.4
	685.71	9110	7870	7210	6880	6180	5890	5620	2000	2500	18390	9.4
	826.05	9110	7870	7210	6880	6180	5890	5620	2000	2500	18390	9.4
	1040.63	9110	7870	7210	6880	6180	5890	5620	2000	2500	18390	9.4
	1184.75	9110	7870	7210	6880	6180	5890	5620	2000	2500	18390	9.4
	1495.90	9110	7870	7210	6880	6180	5890	5620	2000	2500	18390	9.4
	1723.86	8410	7080	6560	6150	5540	5050	4820	2000	2500	16000	9.4
	2128.22	8410	7080	6560	6150	5540	5050	4820	2000	2500	16000	9.4
	2616.25	5550	4820	4320	4140	3730	3570	3410	2000	2500	11340	9.4
	2930.20	5550	4820	4320	4140	3730	3570	3410	2000	2500	11340	9.4



技术参数

Technical Data

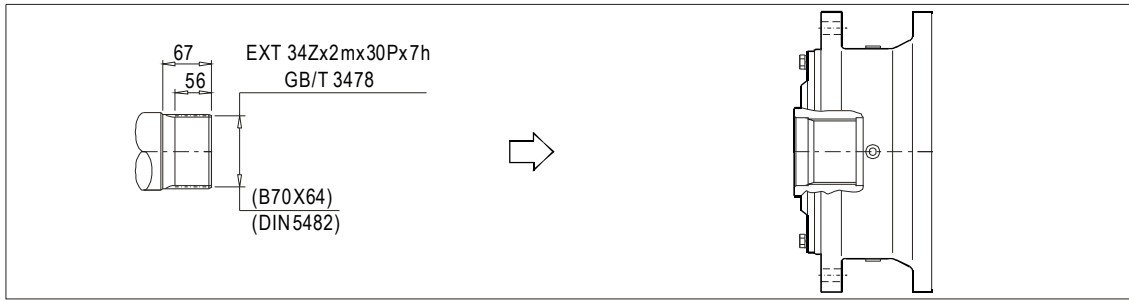
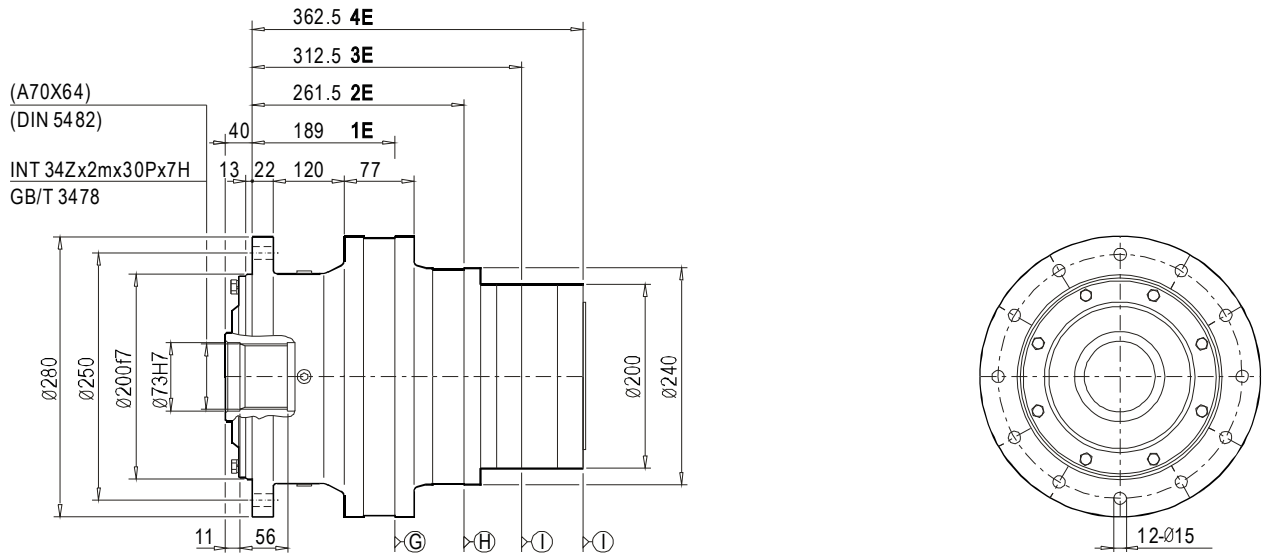
281	i	T2 [N.m]							n1 [r/min]	n1max [r/min]	T2max [N.m]	Pt [kW]
		n2xh [r/minxh]										
		10000	25000	50000	100000	500000	1000000	2000000				
CE	9.48	6460	5610	5000	4720	4220	4030	3860	1500	2000	12240	15
	12.81	6550	5660	5080	4700	4240	4070	3880	1500	2000	12660	15
	14.80	5550	4820	4320	4140	3730	3570	3410	1500	2000	11340	15
	17.82	4470	3890	3550	3400	3060	2910	2790	1500	2000	9500	15
	21.23	5550	4820	4320	4140	3730	3570	3410	1500	2000	11340	15
	25.56	4470	3890	3550	3400	3060	2910	2790	1500	2000	9500	15
	36.86	4470	3890	3550	3400	3060	2910	2790	1500	2000	9500	15
C2E	46.75	9110	7870	7210	6880	6180	5890	5620	1500	2000	18390	15
	60.61	9110	7870	7210	6880	6180	5890	5620	1500	2000	18390	15
	72.84	9110	7870	7210	6880	6180	5890	5620	1500	2000	18390	12
	76.99	8410	7080	6560	6150	5540	5050	4820	1500	2000	16000	12
	92.53	8410	7080	6560	6150	5540	5050	4820	1500	2000	16000	12
	122.59	9110	7870	7210	6880	6180	5890	5620	1500	2000	18390	12
	155.72	8410	7080	6560	6150	5540	5050	4820	1500	2000	16000	12
	185.54	6550	5660	5080	4700	4240	4070	3880	1500	2000	12660	12
	214.40	5550	4820	4320	4140	3730	3570	3410	1500	2000	11340	12
	245.02	5550	4820	4320	4140	3730	3570	3410	1500	2000	11340	12
C3E	263.87	9110	7870	7210	6880	6180	5890	5620	1500	2000	18390	8.3
	289.34	9110	7870	7210	6880	6180	5890	5620	1500	2000	18390	8.3
	344.66	9110	7870	7210	6880	6180	5890	5620	1500	2000	18390	8.3
	436.90	9110	7870	7210	6880	6180	5890	5620	1500	2000	18390	8.3
	504.86	9110	7870	7210	6880	6180	5890	5620	1500	2000	18390	8.3
	578.29	9110	7870	7210	6880	6180	5890	5620	1500	2000	18390	8.3
	766.16	9110	7870	7210	6880	6180	5890	5620	1500	2000	18390	8.3
	882.91	8410	7080	6560	6150	5540	5050	4820	1500	2000	16000	8.3
	1090.02	8410	7080	6560	6150	5540	5050	4820	1500	2000	16000	8.3
	1245.74	8410	7080	6560	6150	5540	5050	4820	1500	2000	16000	8.3
	1484.28	6550	5660	5080	4700	4240	4070	3880	1500	2000	12660	8.3



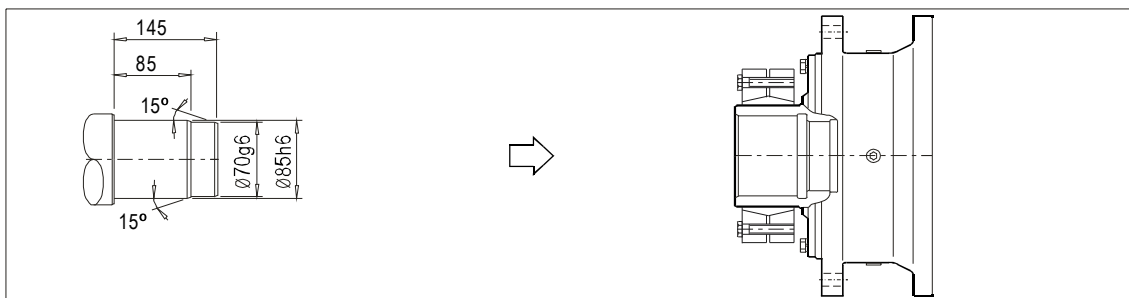
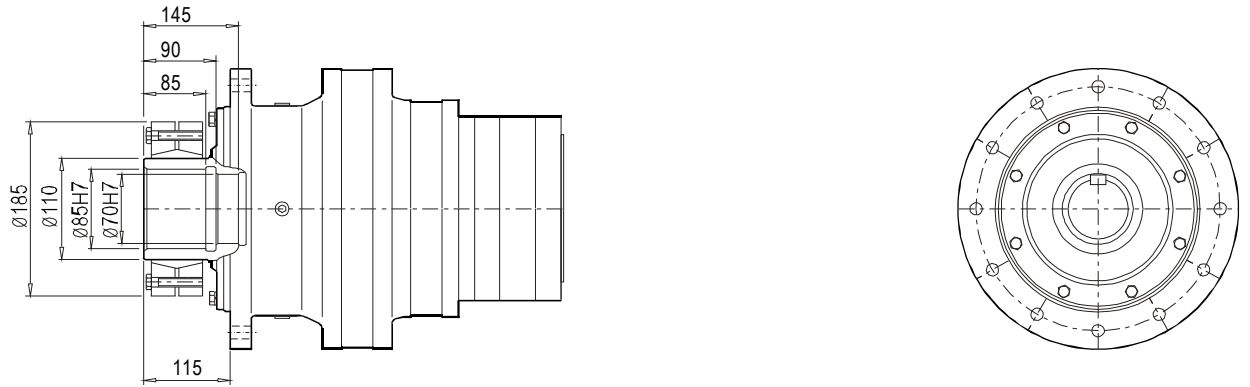
安装尺寸

Mounting Dimensions

280C1Z
281C1Z



280C1Z
281C1Z

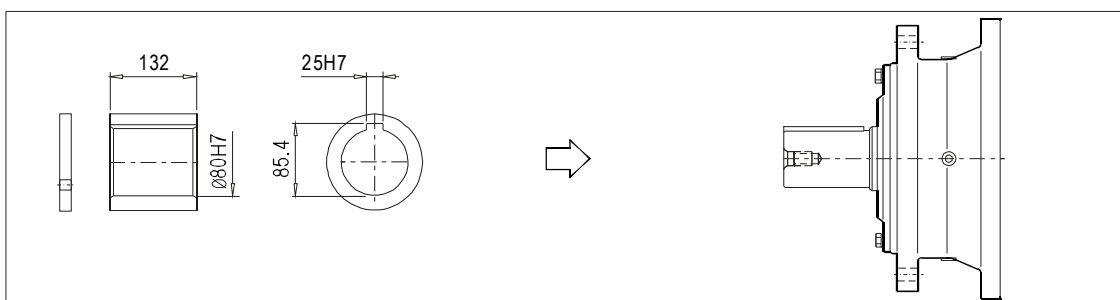
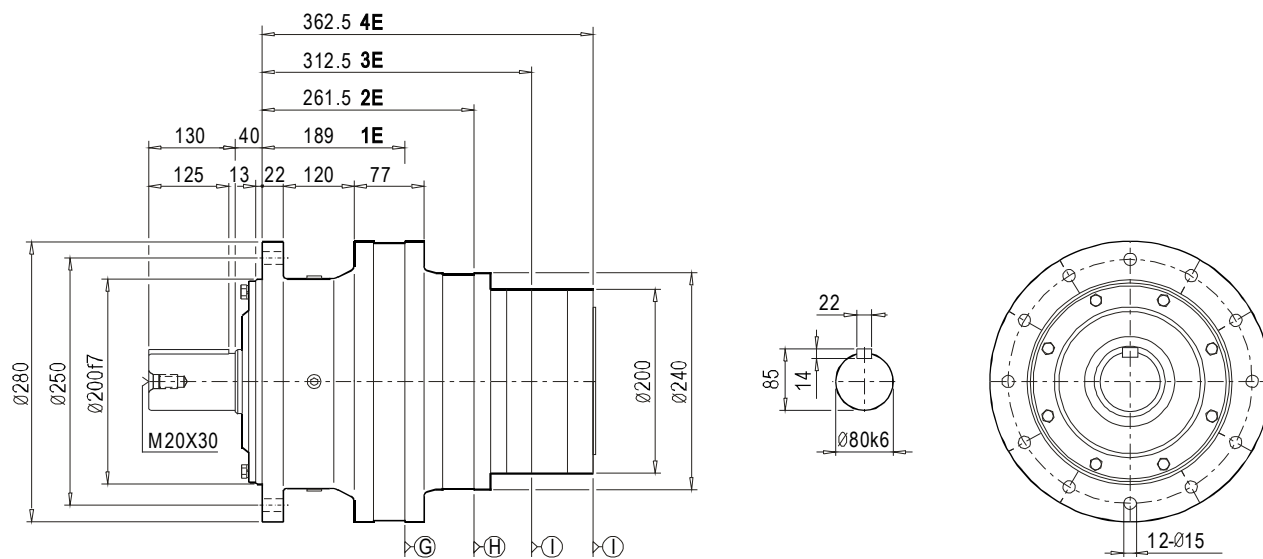




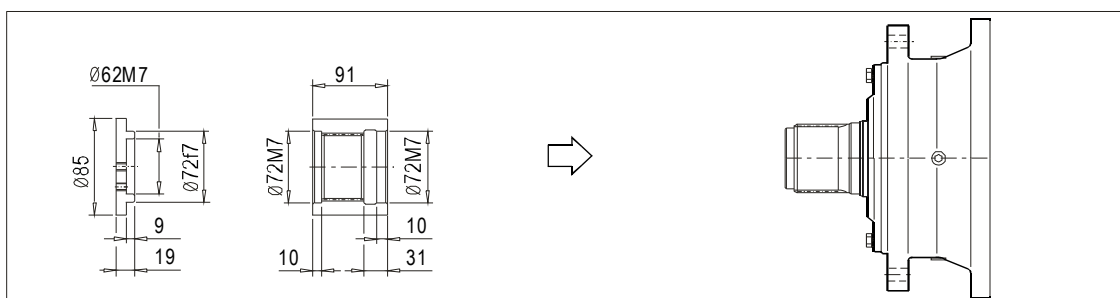
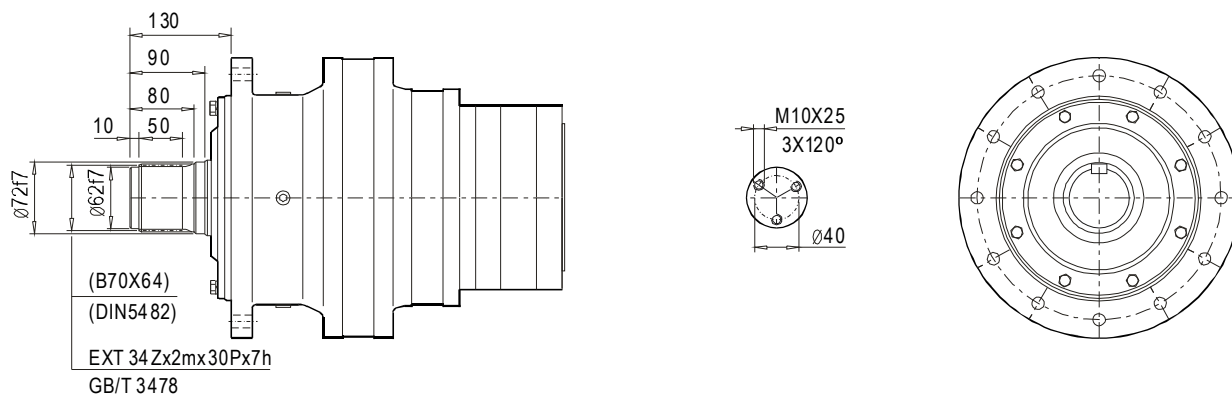
安装尺寸

Mounting Dimensions

280C1C
281C1C



280C1S
281C1S

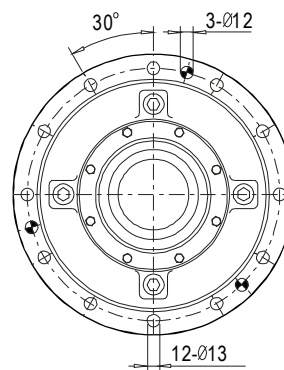
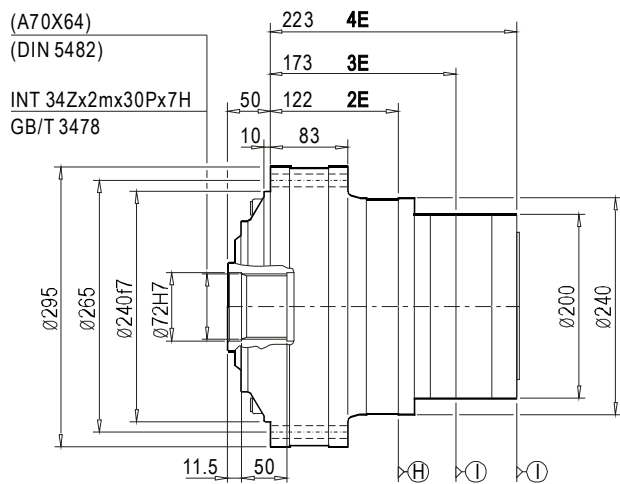




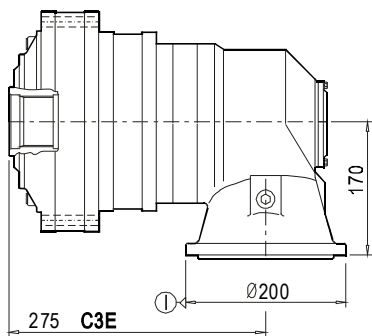
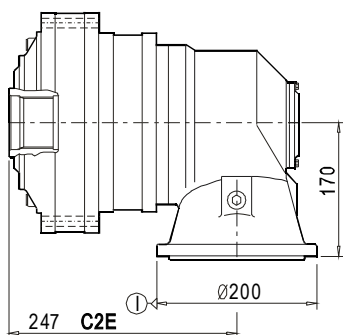
安装尺寸

Mounting Dimensions

280C2Z
281C2Z



280R2Z
281R2Z



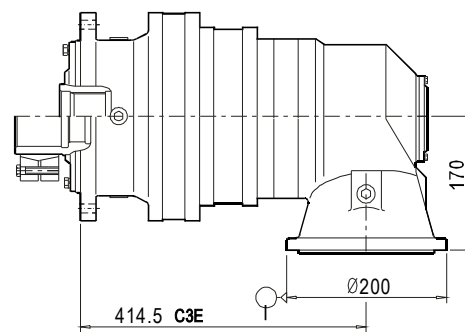
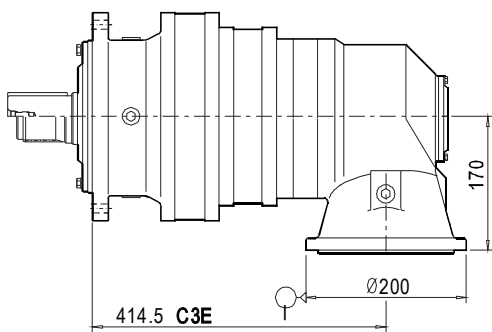
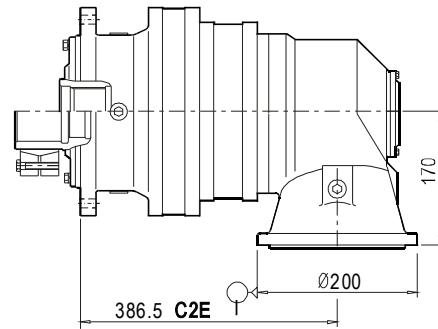
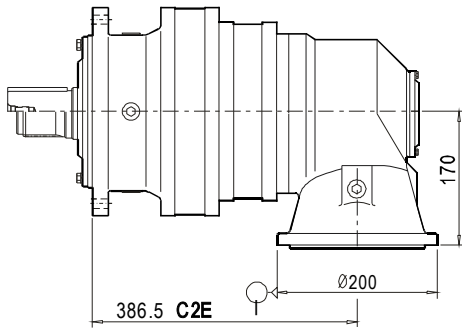
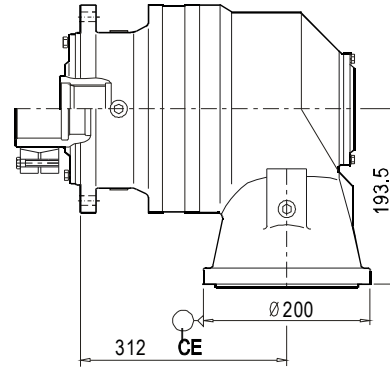
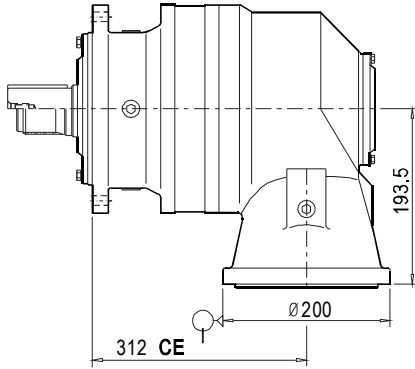


安装尺寸

Mounting Dimensions

280R1C(S)
281R1C(S)

280R1Z(H)
281R1Z(H)





技术参数

Technical Data

353 354	i	T2 [N.m]							n1 [r/min]	n1max [r/min]	T2max [N.m]	Pt [kW]
		n2xh [r/minxh]										
		10000	25000	50000	100000	500000	1000000	2000000				
1E	3.18	19500	16850	15100	13700	12330	11780	11240	1200	1500	34670	40
	3.64	16280	14090	12600	11510	10360	9900	9460	1200	1800	29690	40
	3.96	16560	14350	12850	11630	10490	10030	9590	1500	2000	30680	40
	4.36	15350	13320	11940	10900	9830	9400	9000	1500	2000	28980	40
	4.89	11370	9900	8880	8250	7560	7230	6900	1500	2000	21910	40
	5.67	10060	8710	7800	7330	6600	6300	6020	1500	2000	20060	40
	6.25	9640	8350	7480	7110	6420	6130	5860	1500	2000	19500	40
7	7560	6540	5910	5640	5090	4870	4640	1500	2000	15580	40	
2E	13.19	16560	14350	12850	11630	10490	10030	9590	1500	1500	34670	23
	15.84	16560	14350	12850	11630	10490	10030	9590	1500	2000	30680	23
	17.44	15350	13320	11940	10900	9830	9400	9000	1500	2000	28980	23
	22.67	15350	13320	11940	10900	9830	9400	9000	1500	2000	28980	23
	25.43	11370	9900	8880	8250	7560	7230	6900	1500	2000	21910	23
	30.56	11370	9900	8880	8250	7560	7230	6900	1500	2000	21910	23
	35.44	10060	8710	7800	7330	6600	6300	6020	1500	2000	20060	23
	39.06	9640	8350	7480	7110	6420	6130	5860	1500	2000	19500	23
49.00	7560	6540	5910	5640	5090	4870	4640	1500	2000	15580	23	
3E	45.76	16560	14350	12850	11630	10490	10030	9590	1200	1500	30680	15
	53.27	16560	14350	12850	11630	10490	10030	9590	2000	2500	31970	15
	63.99	16560	14350	12850	11630	10490	10030	9590	2000	2500	30680	15
	70.17	16560	14350	12850	11630	10490	10030	9590	2000	2500	30680	15
	86.33	15350	13320	11940	10900	9830	9400	9000	2000	2500	28980	15
	97.12	15350	13320	11940	10900	9830	9400	9000	2000	2500	28980	15
	128.55	15350	13320	11940	10900	9830	9400	9000	2000	2500	28980	15
	141.70	15350	13320	11940	10900	9830	9400	9000	2000	2500	28980	15
	173.29	11370	9900	8880	8250	7560	7230	6900	2000	2500	21910	15
	213.94	11370	9900	8880	8250	7560	7230	6900	2000	2500	21910	15
	244.50	11370	9900	8880	8250	7560	7230	6900	2000	2500	21910	15
	312.50	9640	8350	7480	7110	6420	6130	5860	2000	2500	19500	15
	350.00	7560	6540	5910	5640	5090	4870	4640	2000	2500	15580	15
456.44	7560	6540	5910	5640	5090	4870	4640	2000	2500	15580	15	
4E	258.53	16560	14350	12850	11630	10490	10030	9590	2000	2500	30680	11
	316.77	16560	14350	12850	11630	10490	10030	9590	2000	2500	30680	11
	362.84	16560	14350	12850	11630	10490	10030	9590	2000	2500	30680	11
	447.96	16560	14350	12850	11630	10490	10030	9590	2000	2500	30680	11
	511.95	16560	14350	12850	11630	10490	10030	9590	2000	2500	30680	11
	618.07	15350	13320	11940	10900	9830	9400	9000	2000	2500	28980	11
	695.33	15350	13320	11940	10900	9830	9400	9000	2000	2500	28980	11
	864.31	11370	9900	8880	8250	7560	7230	6900	2000	2500	21910	11
	947.74	11370	9900	8880	8250	7560	7230	6900	2000	2500	21910	11
	1210.28	11370	9900	8880	8250	7560	7230	6900	2000	2500	21910	11
	1528.13	11370	9900	8880	8250	7560	7230	6900	2000	2500	21910	11
	1739.77	11370	9900	8880	8250	7560	7230	6900	2000	2500	21910	11
	2196.68	11370	9900	8880	8250	7560	7230	6900	2000	2500	21910	11
	2547.07	10060	8710	7800	7330	6600	6300	6020	2000	2500	20060	11
	3144.53	9640	8350	7480	7110	6420	6130	5860	2000	2500	19500	11



技术参数

Technical Data

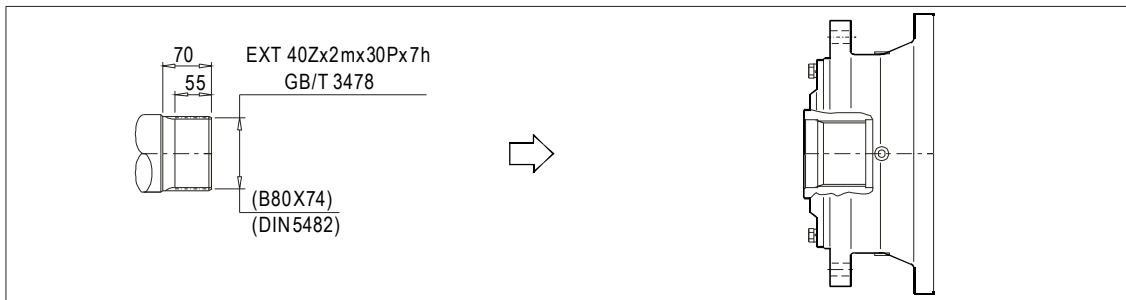
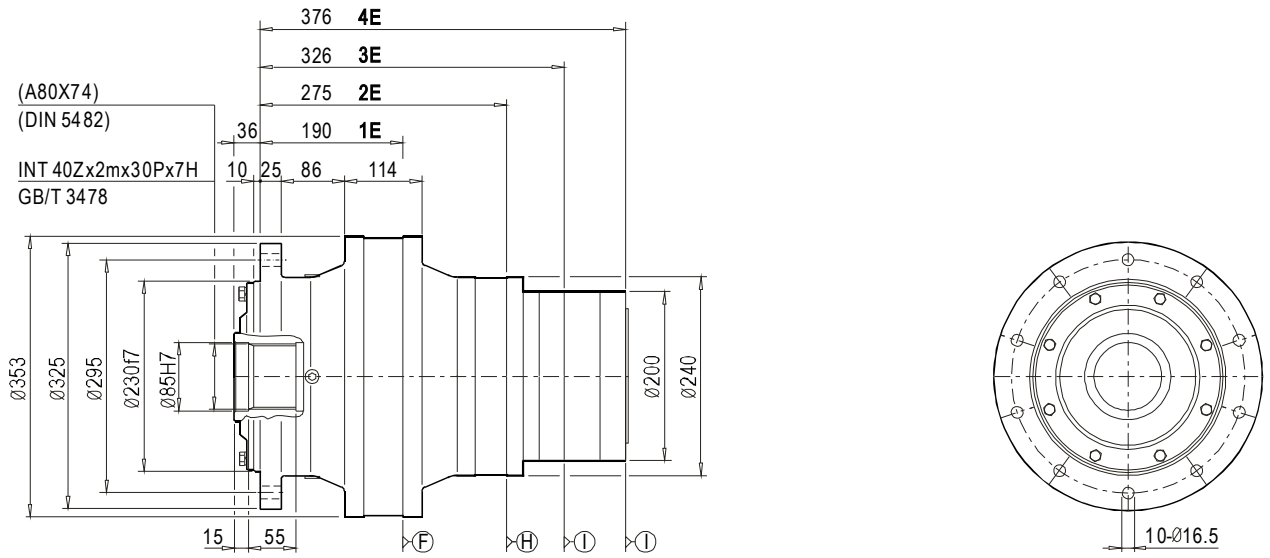
353 354	i	T2 [N.m]							n1 [r/min]	n1max [r/min]	T2max [N.m]	Pt [kW]
		n2xh [r/minxh]										
		10000	25000	50000	100000	500000	1000000	2000000				
CE...A	6.60	18530	16010	14350	13020	11720	11200	10680	1500	2000	32940	50
	10.24	16280	14090	12600	11510	10360	9900	9460	1500	2000	29690	50
	12.26	15350	13320	11940	10900	9830	9400	9000	1500	2000	28980	50
	13.75	11370	9900	8880	8250	7560	7230	6900	1500	2000	21910	50
	17.44	15350	13320	11940	10900	9830	9400	9000	1500	2000	28980	50
	22.68	10060	8710	7800	7330	6600	6300	6020	1500	2000	20060	50
	25.00	9640	8350	7480	7110	6420	6130	5860	1500	2000	19500	50
	28.12	11370	7700	7370	7040	6350	6080	5810	1500	2000	21910	50
	32.60	10060	8710	7800	7330	6600	6300	6020	1500	2000	20060	50
CE...B	13.92	10240	6930	6640	6340	5720	5480	5230	1500	2000	19720	18
	16.14	10060	8710	7800	7330	6600	6300	6020	1500	2000	20060	18
	17.79	9640	8350	7480	7110	6420	6130	5860	1500	2000	19500	18
	19.92	7560	6540	5910	5640	5090	4870	4640	1500	2000	15580	18
	28.58	7560	6540	5910	5640	5090	4870	4640	1500	2000	15580	18
C2E...A	37.53	16560	14350	12850	11630	10490	10030	9590	1500	2000	30680	17
	45.08	16560	14350	12850	11630	10490	10030	9590	1500	2000	30680	17
	49.64	15350	13320	11940	10900	9830	9400	9000	1500	2000	28980	17
	64.53	15350	13320	11940	10900	9830	9400	9000	1500	2000	28980	17
	71.21	15350	13320	11940	10900	9830	9400	9000	1500	2000	28980	17
	92.58	15350	13320	11940	10900	9830	9400	9000	1500	2000	28980	17
	102.70	15350	13320	11940	10900	9830	9400	9000	1500	2000	28980	17
	133.51	15350	13320	11940	10900	9830	9400	9000	1500	2000	28980	17
	149.77	11370	9900	8880	8250	7560	7230	6900	1500	2000	21910	17
	180.01	11370	9900	8880	8250	7560	7230	6900	1500	2000	21910	17
C2E...B	68.66	11370	9900	8880	8250	7560	7230	6900	1500	2000	21910	15
	82.52	11370	9900	8880	8250	7560	7230	6900	1500	2000	21910	15
	95.68	10060	8710	7800	7330	6600	6300	6020	1500	2000	20060	15
	124.03	10060	8710	7800	7330	6600	6300	6020	1500	2000	20060	15
	136.72	9640	8350	7480	7110	6420	6130	5860	1500	2000	19500	15
	171.50	7560	6540	5910	5640	5090	4870	4640	1500	2000	15580	15
	208.73	10060	8710	7800	7330	6600	6300	6020	1500	2000	20060	15
	230.08	9640	8350	7480	7110	6420	6130	5860	1500	2000	19500	15
	288.61	7560	6540	5910	5640	5090	4870	4640	1500	2000	15580	15
C3E	269.52	16560	14350	12850	11630	10490	10030	9590	1500	2000	30680	10
	313.79	16560	14350	12850	11630	10490	10030	9590	1500	2000	30680	10
	376.92	16560	14350	12850	11630	10490	10030	9590	1500	2000	30680	10
	413.31	16560	14350	12850	11630	10490	10030	9590	1500	2000	30680	10
	508.47	15350	13320	11940	10900	9830	9400	9000	1500	2000	28980	10
	572.03	15350	13320	11940	10900	9830	9400	9000	1500	2000	28980	10
	757.16	15350	13320	11940	10900	9830	9400	9000	1500	2000	28980	10
	834.61	15350	13320	11940	10900	9830	9400	9000	1500	2000	28980	10
	1020.67	11370	9900	8880	8250	7560	7230	6900	1500	2000	21910	10
	1260.09	11370	9900	8880	8250	7560	7230	6900	1500	2000	21910	10
	1440.11	11370	9900	8880	8250	7560	7230	6900	1500	2000	21910	10
	1840.63	9640	8350	7480	7110	6420	6130	5860	1500	2000	19500	10
	2061.50	7560	6540	5910	5640	5090	4870	4640	1500	2000	15580	10



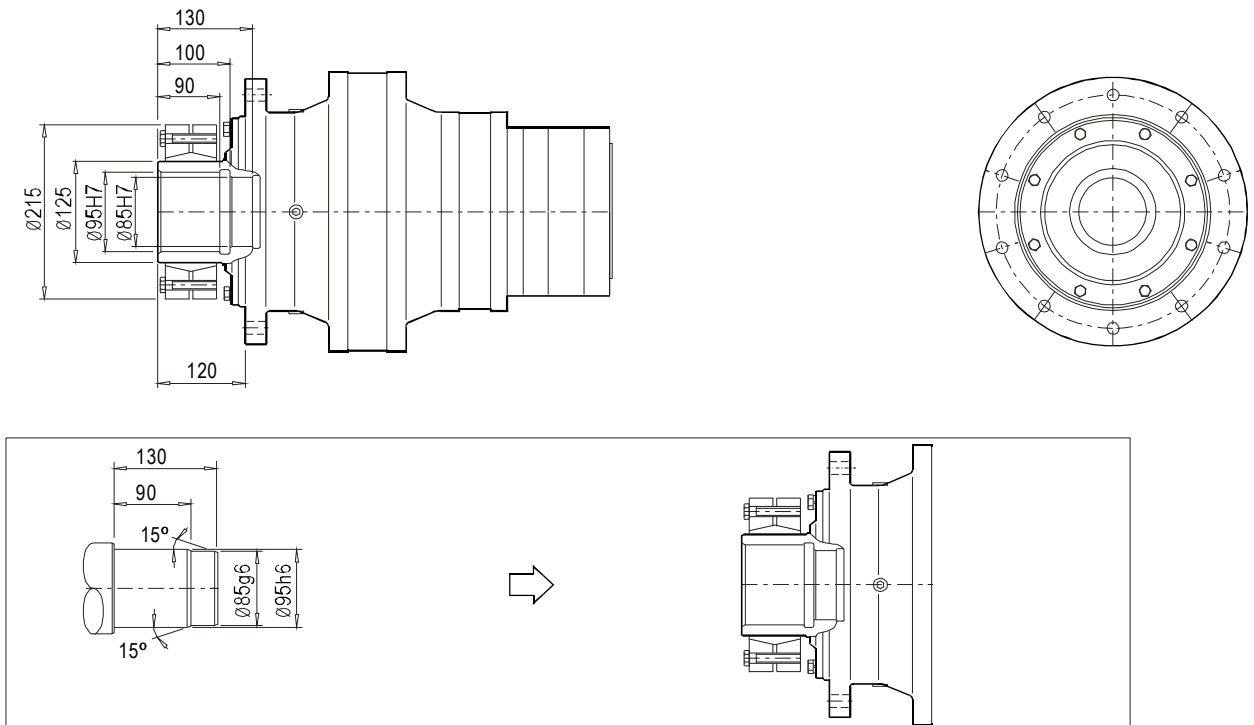
安装尺寸

Mounting Dimensions

353C1Z



353C1H

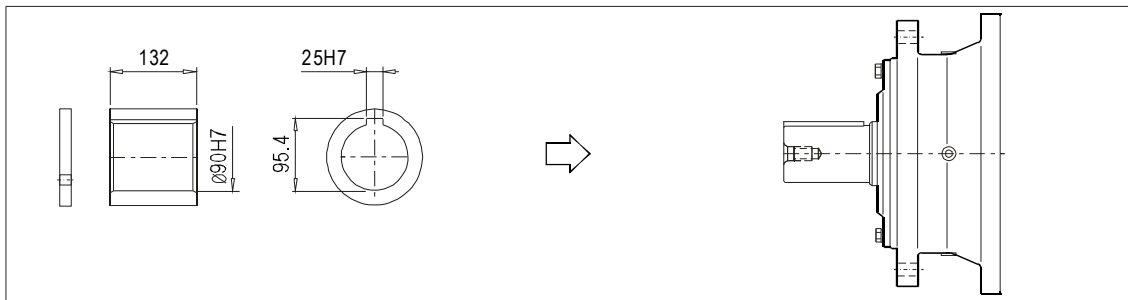
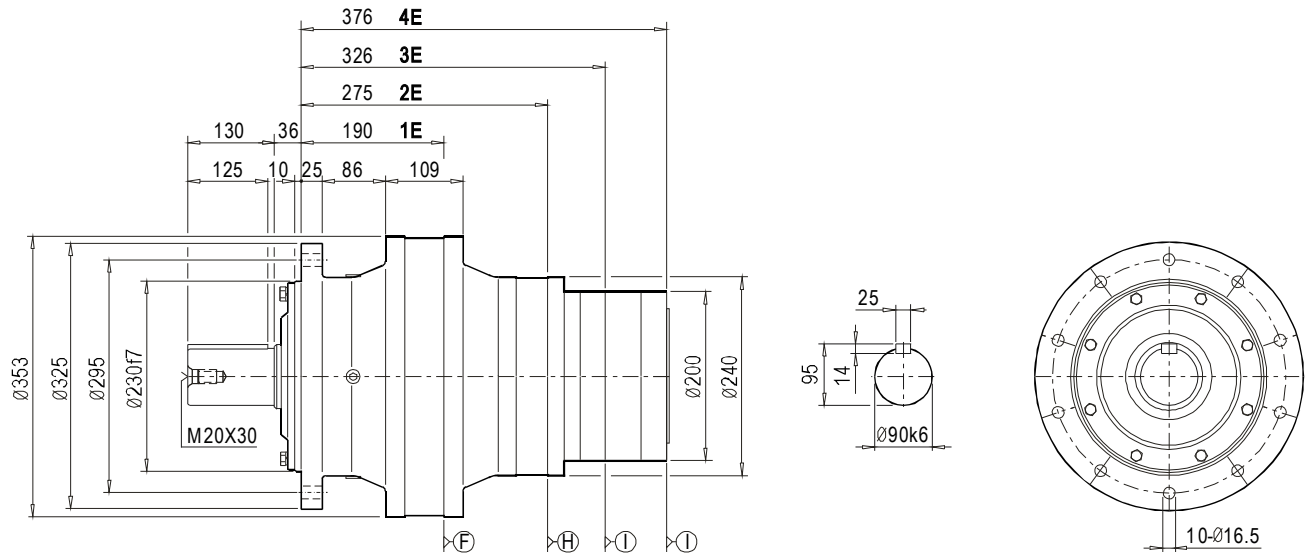




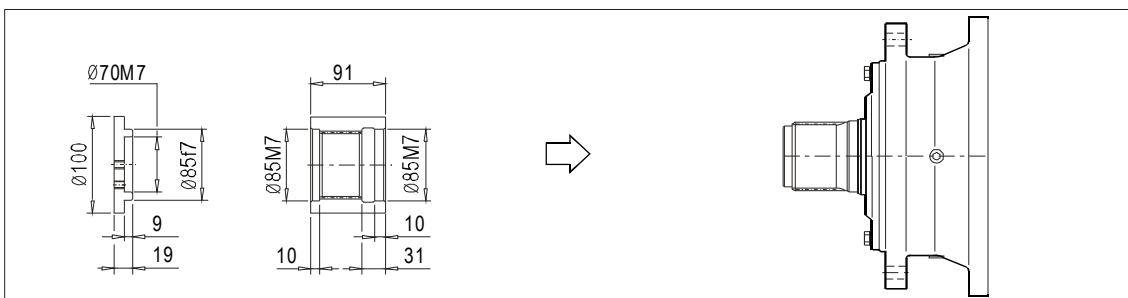
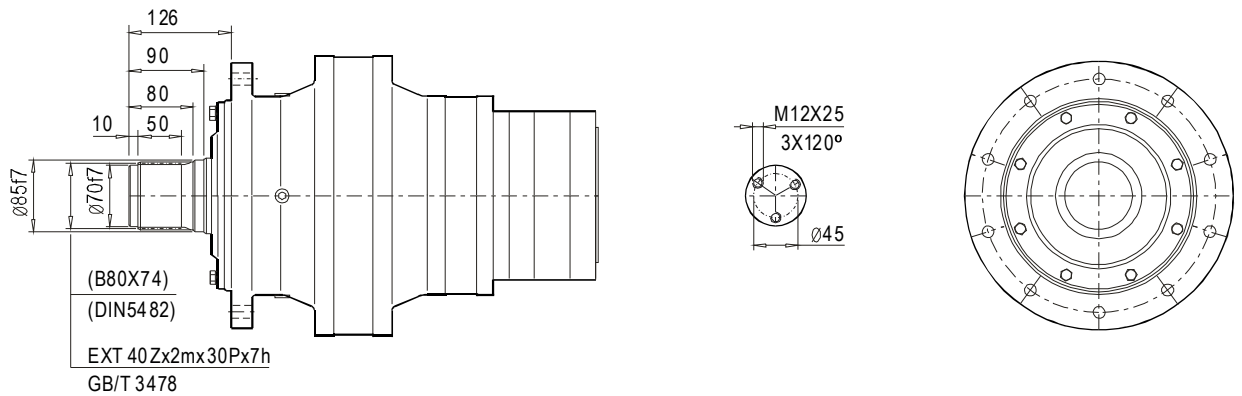
安装尺寸

Mounting Dimensions

353C1C



353C1S

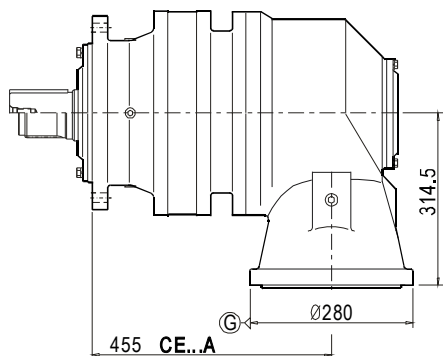




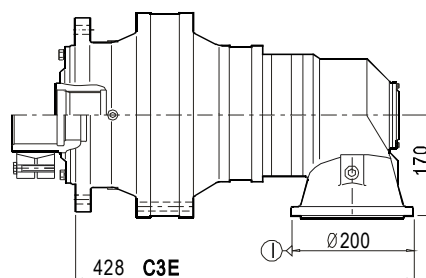
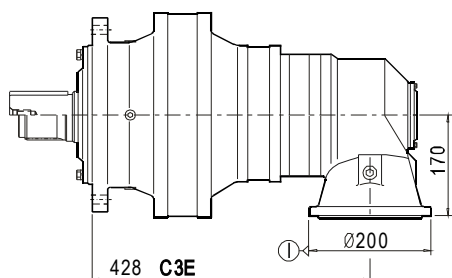
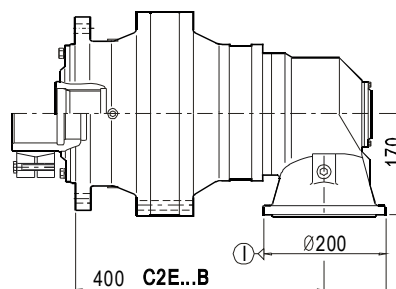
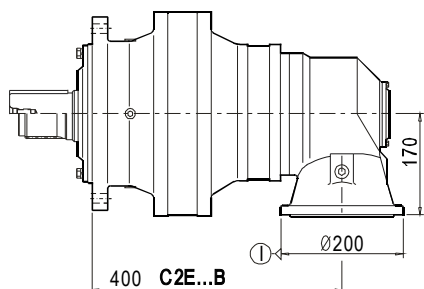
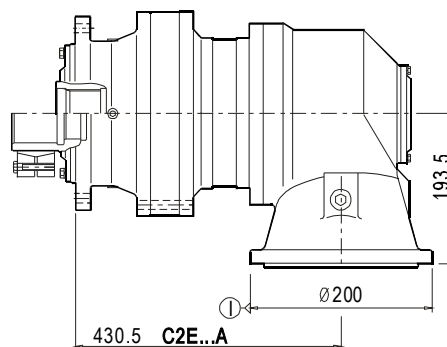
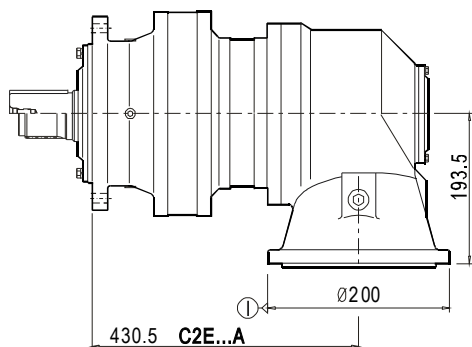
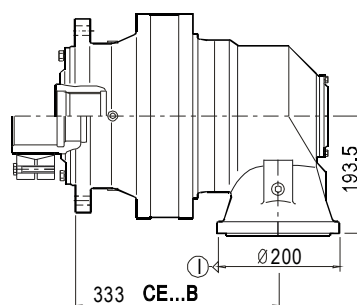
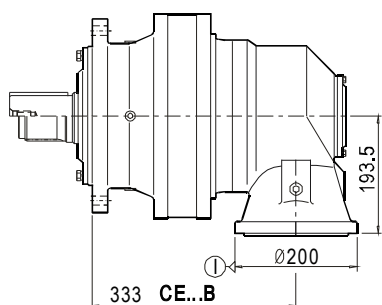
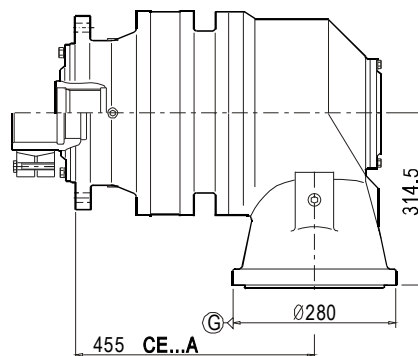
安装尺寸

Mounting Dimensions

353R1C(S)



353R1Z(H)

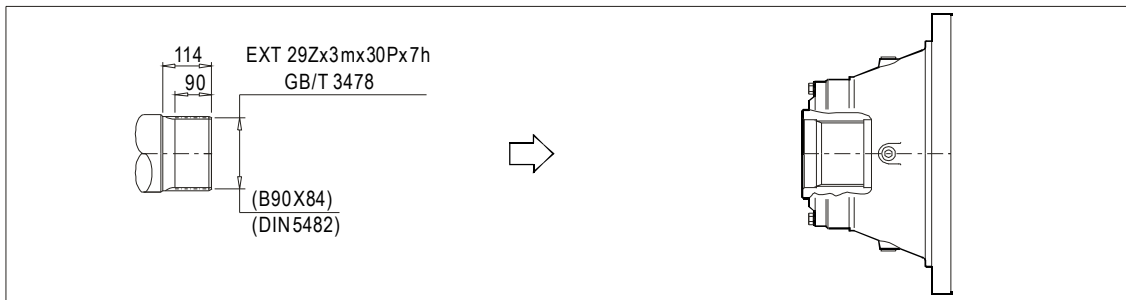
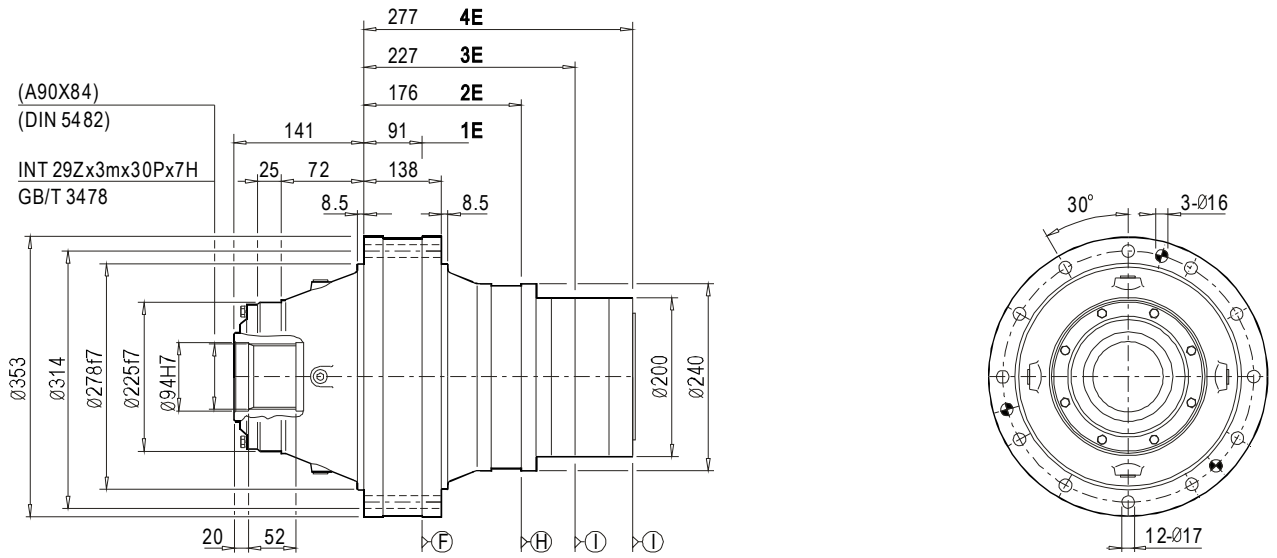




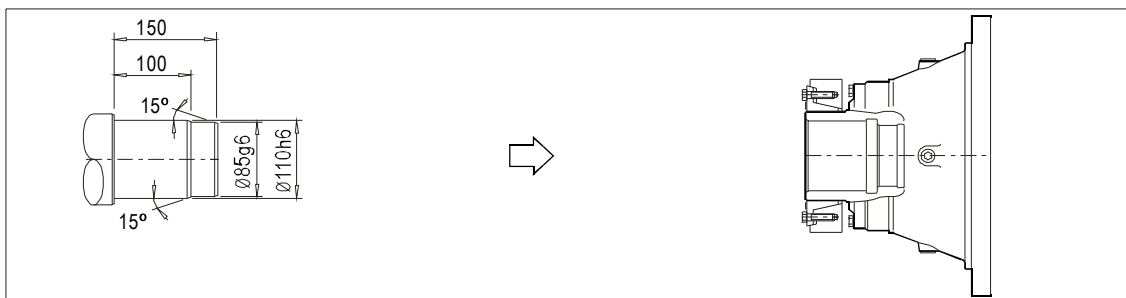
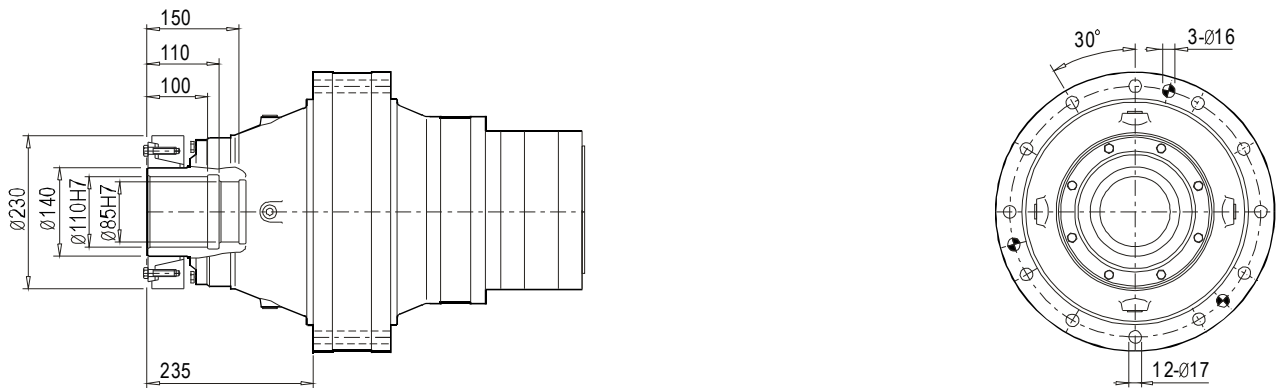
安装尺寸

Mounting Dimensions

354C2Z



354C2H

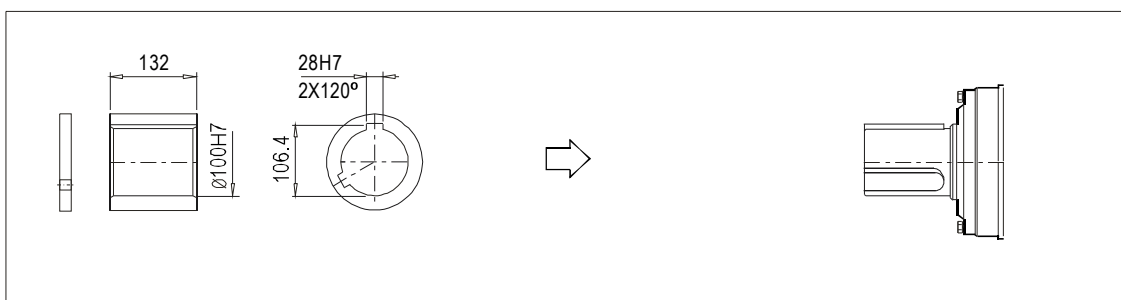
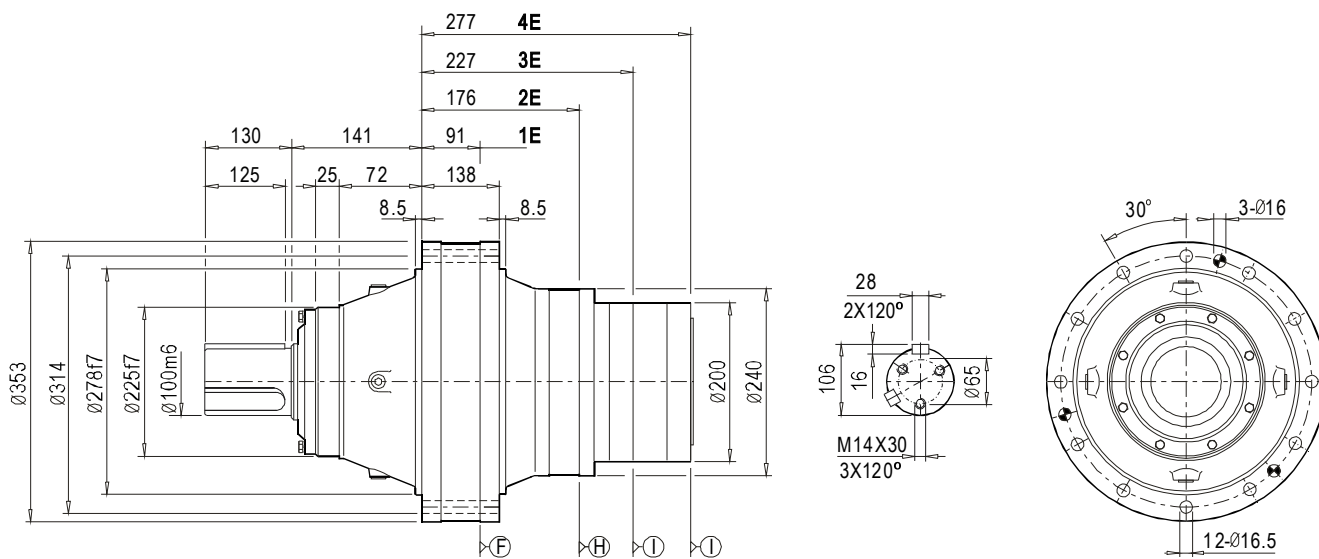




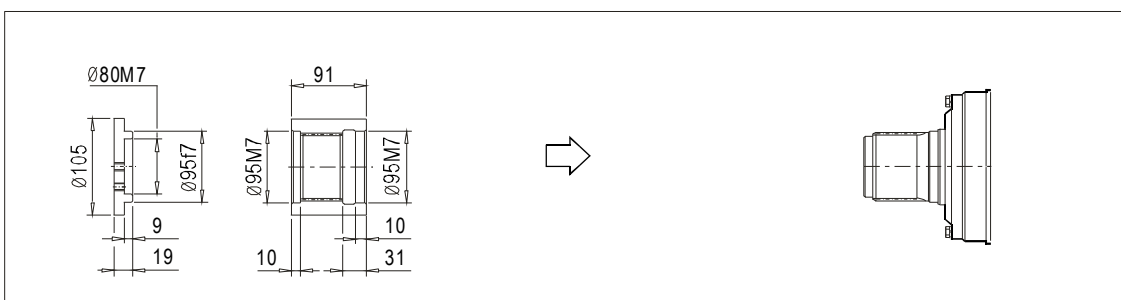
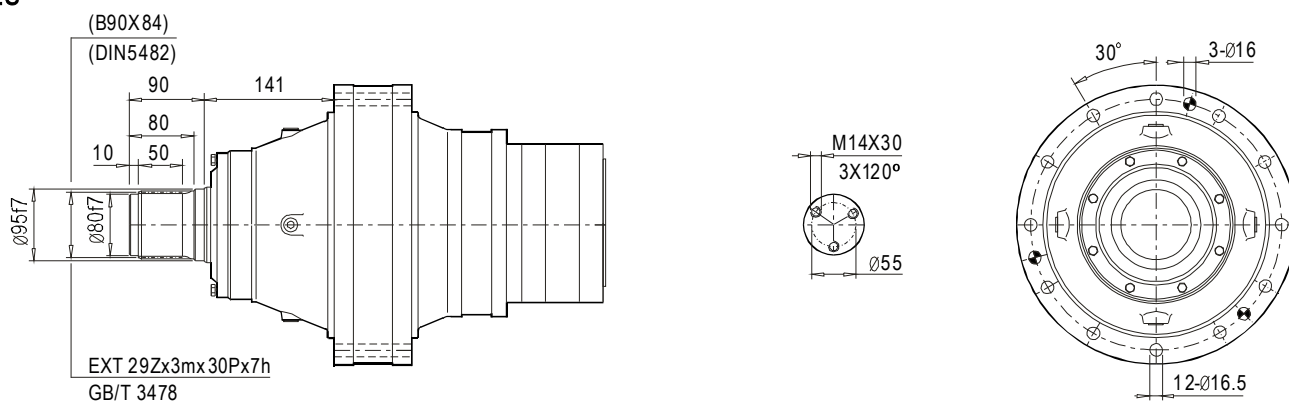
安装尺寸

Mounting Dimensions

354C2C



354C2S

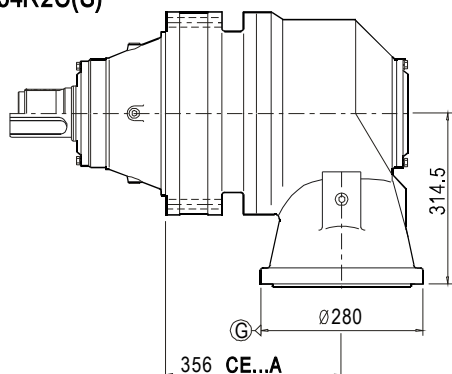




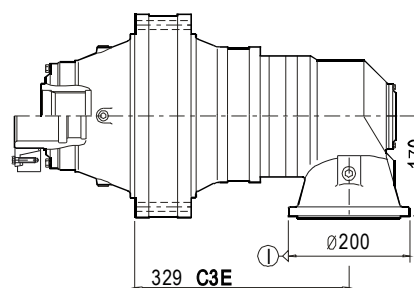
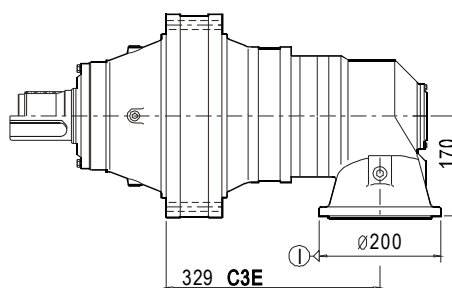
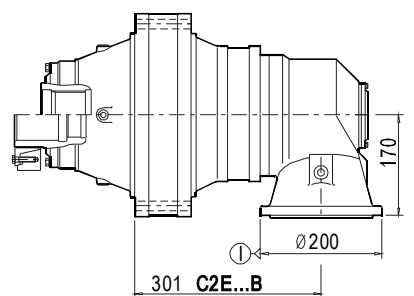
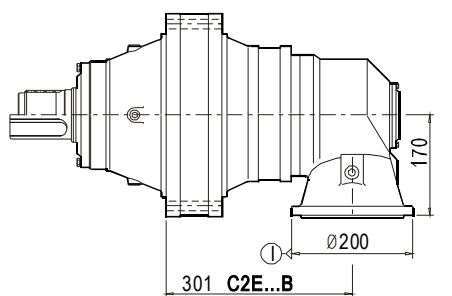
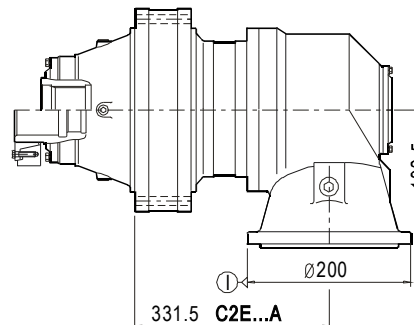
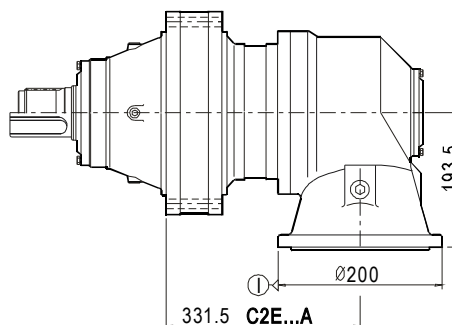
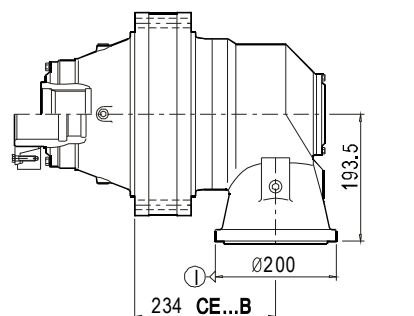
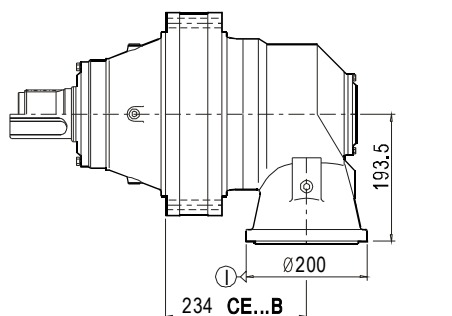
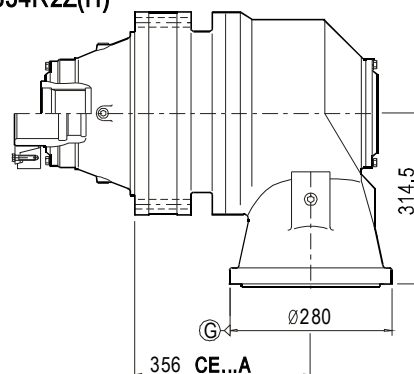
安装尺寸

Mounting Dimensions

354R2C(S)



354R2Z(H)





技术参数

Technical Data

355	i	T2 [N.m]							n1 [r/min]	n1max [r/min]	T2max [N.m]	Pt [kW]
		n2xh [r/minxh]										
		10000	25000	50000	100000	500000	1000000	2000000				
1E	3.18	20530	17740	15880	15080	13560	12940	12360	1200	1500	38200	42
	3.85	20760	17990	16100	15030	13550	12950	12380	1500	2000	40060	42
	4.36	19590	16970	15230	14130	12870	12320	11770	1500	2000	38570	42
	5.11	15980	13840	12430	11880	10730	10250	9810	1500	2000	32400	42
	6.29	11890	10320	9470	9050	8180	7830	7490	1500	2000	25060	42
2E	13.45	20530	17740	15880	15080	13560	12940	12360	1200	1500	38200	25
	16.29	20760	17990	16100	15030	13550	12950	12380	1200	1500	40060	25
	19.62	19590	16970	15230	14130	12870	12320	11770	1500	2000	38570	25
	22.67	19590	16970	15230	14130	12870	12320	11770	1500	2000	38570	25
	26.57	15980	13840	12430	11880	10730	10250	9810	1500	2000	32400	25
	31.99	15980	13840	12430	11880	10730	10250	9810	1500	2000	32400	25
	39.38	11890	10320	9470	9050	8180	7830	7490	1500	2000	25060	25
	44.34	11890	10320	9470	9050	8180	7830	7490	1500	2000	25060	25
3E	43.52	20530	17740	15880	15080	13560	12940	12360	1500	2000	38200	17
	47.65	20530	17740	15880	15080	13560	12940	12360	1500	2000	38200	17
	57.69	20760	17990	16100	15030	13550	12950	12380	1500	2000	40060	17
	73.28	20760	17990	16100	15030	13550	12950	12380	1500	2000	40060	17
	81.43	20760	17990	16100	15030	13550	12950	12380	1500	2000	40060	17
	101.78	20760	17990	16100	15030	13550	12950	12380	1500	2000	40060	17
	122.63	19590	16970	15230	14130	12870	12320	11770	1500	2000	38570	17
	158.70	19590	16970	15230	14130	12870	12320	11770	1500	2000	38570	17
	181.38	19590	16970	15230	14130	12870	12320	11770	1500	2000	38570	17
	213.12	19590	16970	15230	14130	12870	12320	11770	1500	2000	38570	17
	249.78	15980	13840	12430	11880	10730	10250	9810	1500	2000	32400	17
	300.69	15980	13840	12430	11880	10730	10250	9810	1500	2000	32400	17
4E	240.24	20760	17990	16100	15030	13550	12950	12380	2000	2500	40060	14
	307.49	20760	17990	16100	15030	13550	12950	12380	2000	2500	40060	14
	379.51	20760	17990	16100	15030	13550	12950	12380	2000	2500	40060	14
	415.52	20760	17990	16100	15030	13550	12950	12380	2000	2500	40060	14
	508.92	20760	17990	16100	15030	13550	12950	12380	2000	2500	40060	14
	618.03	19590	16970	15230	14130	12870	12320	11770	2000	2500	38570	14
	706.32	19590	16970	15230	14130	12870	12320	11770	2000	2500	38570	14
	899.85	19590	16970	15230	14130	12870	12320	11770	2000	2500	38570	14
	1028.40	19590	16970	15230	14130	12870	12320	11770	2000	2500	38570	14
	1277.50	15980	13840	12430	11880	10730	10250	9810	2000	2500	32400	14
	1665.99	15980	13840	12430	11880	10730	10250	9810	2000	2500	32400	14
	1836.41	15980	13840	12430	11880	10730	10250	9810	2000	2500	32400	14
	2056.78	15980	13840	12430	11880	10730	10250	9810	2000	2500	32400	14
	2531.73	11890	10320	9470	9050	8180	7830	7490	2000	2500	25060	14



技术参数

Technical Data

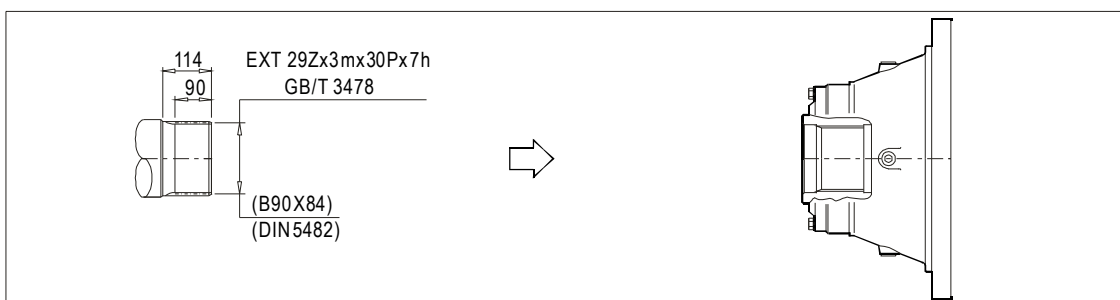
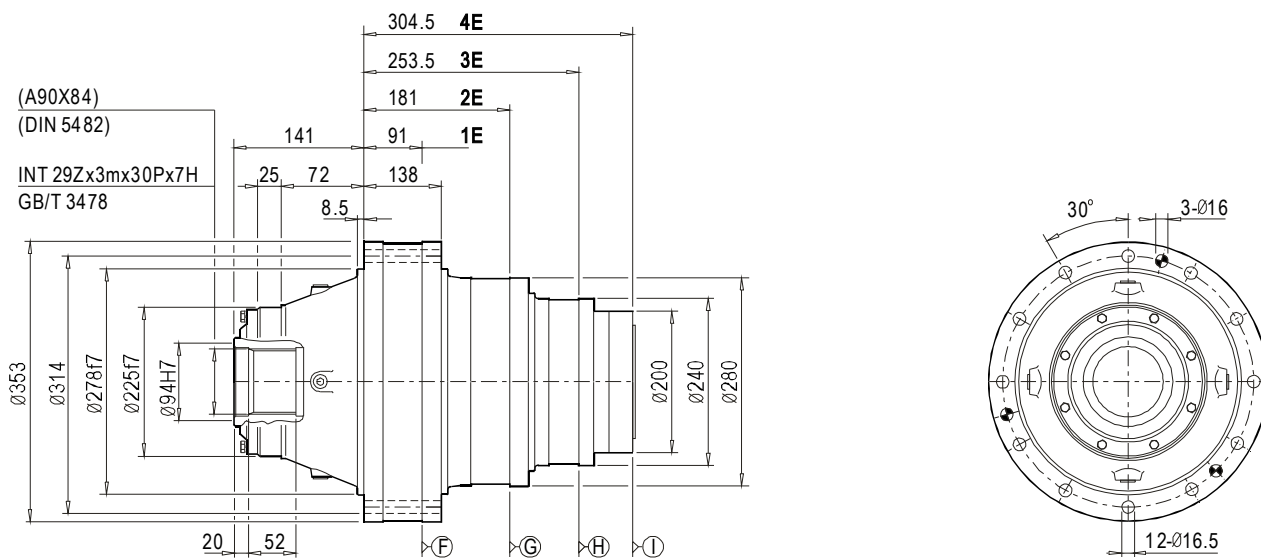
355	i	T2 [N.m]							n1 [r/min]	n1max [r/min]	T2max [N.m]	Pt [kW]
		n2xh [r/minxh]										
		10000	25000	50000	100000	500000	1000000	2000000				
CE	8.00	20760	17990	16100	15030	13550	12950	12380	1500	2000	40060	50
	9.06	19590	16970	15230	14130	12870	12320	11770	1500	2000	38570	50
	12.26	19590	16970	15230	14130	12870	12320	11770	1500	2000	38570	50
	14.37	15980	13840	12430	11880	10730	10250	9810	1500	2000	32400	50
	17.69	11890	10320	9470	9050	8180	7830	7490	1500	2000	25060	50
	20.44	15980	13840	12430	11880	10730	10250	9810	1500	2000	32400	50
	25.16	11890	10320	9470	9050	8180	7830	7490	1500	2000	25060	50
	36.17	11890	10320	9470	9050	8180	7830	7490	1500	2000	25060	50
C2E	38.28	20530	17740	15880	15080	13560	12940	12360	1500	2000	38200	20
	46.35	20760	17990	16100	15030	13550	12950	12380	1500	2000	40060	20
	55.84	19590	16970	15230	14130	12870	12320	11770	1500	2000	38570	20
	64.53	19590	16970	15230	14130	12870	12320	11770	1500	2000	38570	20
	75.63	15980	13840	12430	11880	10730	10250	9810	1500	2000	32400	20
	80.12	19590	16970	15230	14130	12870	12320	11770	1500	2000	38570	20
	92.58	19590	16970	15230	14130	12870	12320	11770	1500	2000	38570	20
	108.50	15980	13840	12430	11880	10730	10250	9810	1500	2000	32400	20
	130.62	15980	13840	12430	11880	10730	10250	9810	1500	2000	32400	20
	181.07	11890	10320	9470	9050	8180	7830	7490	1500	2000	25060	20
	231.88	11890	10320	9470	9050	8180	7830	7490	1500	2000	25060	20
	261.14	11890	10320	9470	9050	8180	7830	7490	1500	2000	25060	20
C3E	339.81	20760	17990	16100	15030	13550	12950	12380	1500	2000	40060	15
	431.65	20760	17990	16100	15030	13550	12950	12380	1500	2000	40060	15
	479.61	20760	17990	16100	15030	13550	12950	12380	1500	2000	40060	15
	599.51	20760	17990	16100	15030	13550	12950	12380	1500	2000	40060	15
	722.26	19590	16970	15230	14130	12870	12320	11770	1500	2000	38570	15
	874.22	15980	13840	12430	11880	10730	10250	9810	1500	2000	32400	15
	1068.30	19590	16970	15230	14130	12870	12320	11770	1500	2000	38570	15
	1255.26	19590	16970	15230	14130	12870	12320	11770	1500	2000	38570	15
	1471.19	15980	13840	12430	11880	10730	10250	9810	1500	2000	32400	15
	1771.08	15980	13840	12430	11880	10730	10250	9810	1500	2000	32400	15



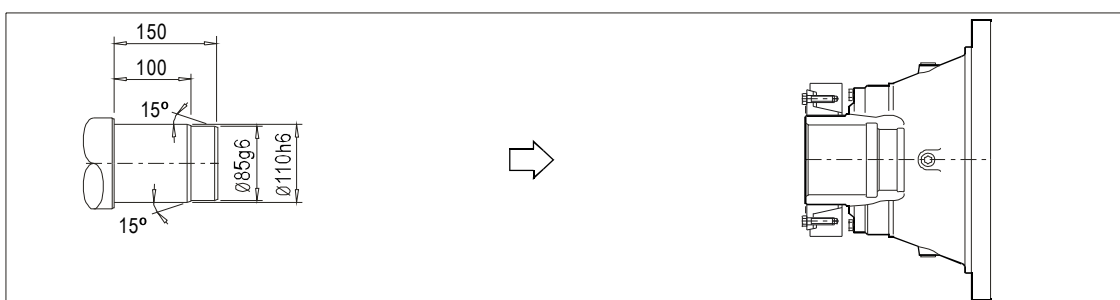
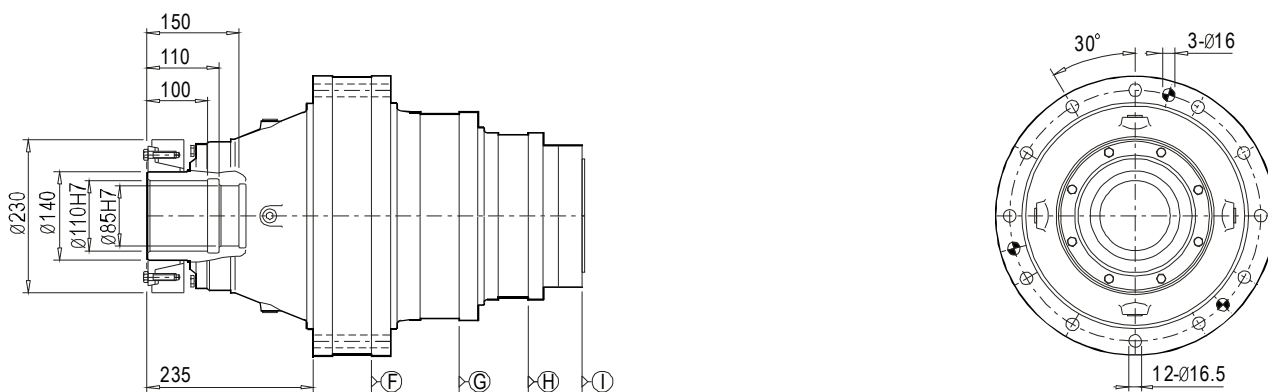
安装尺寸

Mounting Dimensions

355C2Z



355C2H

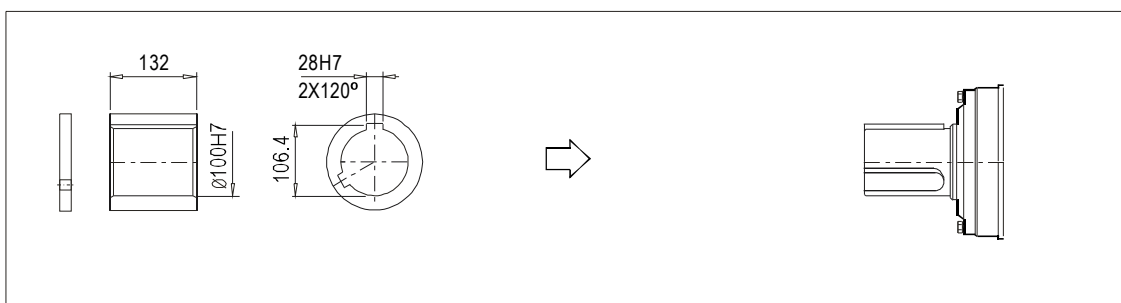
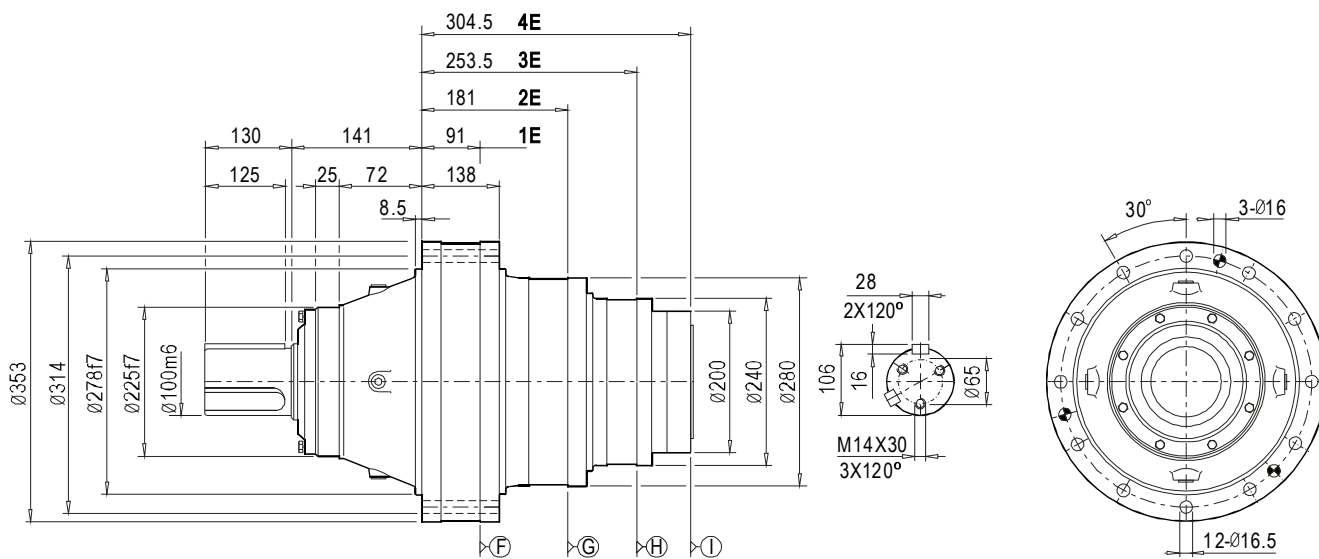




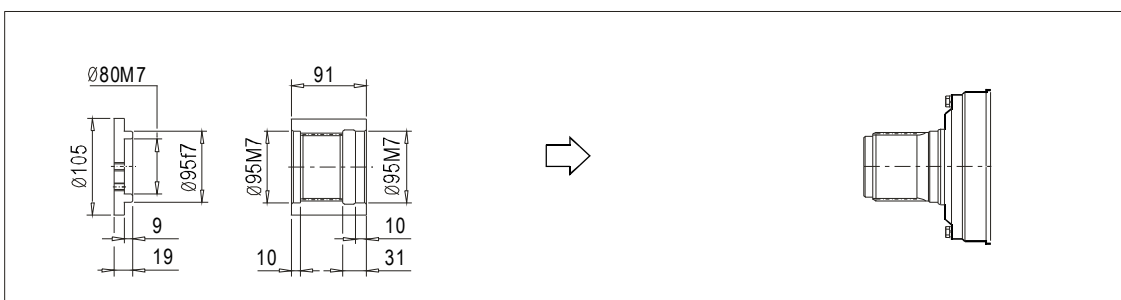
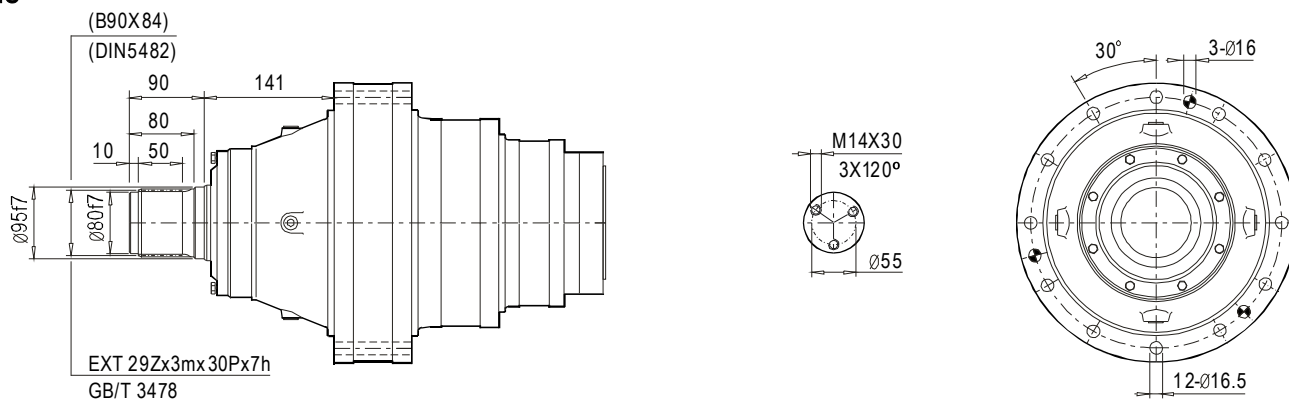
安装尺寸

Mounting Dimensions

355C2C



355C2S

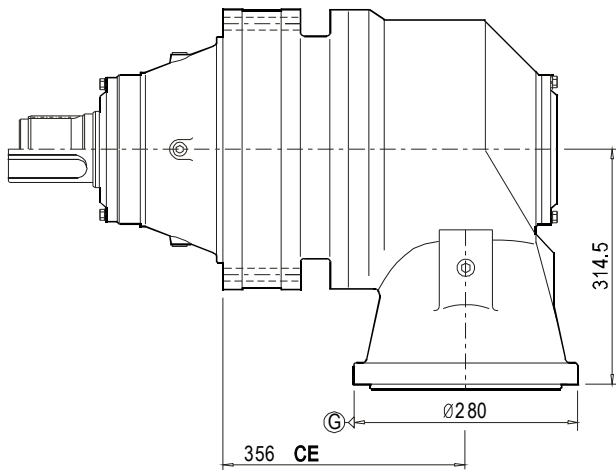




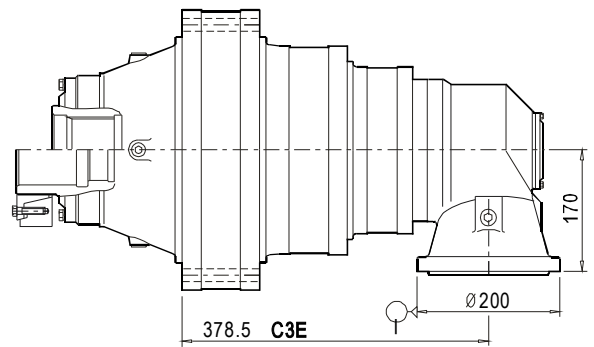
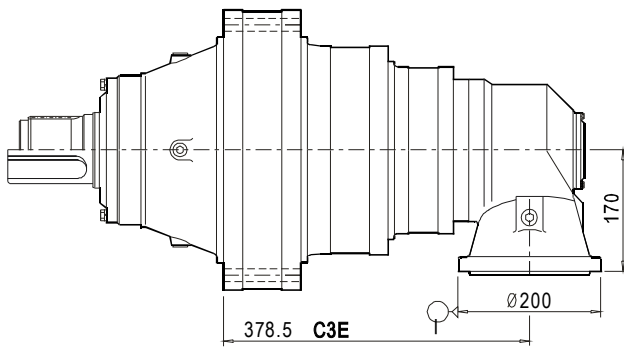
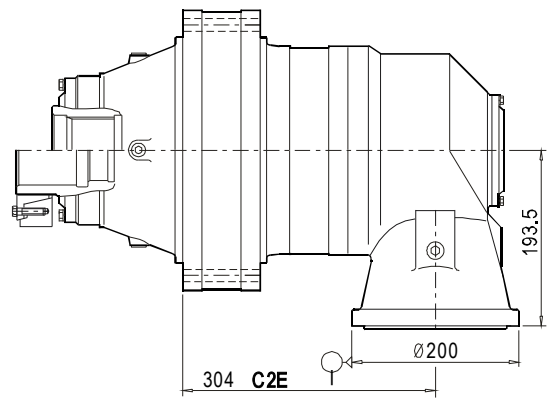
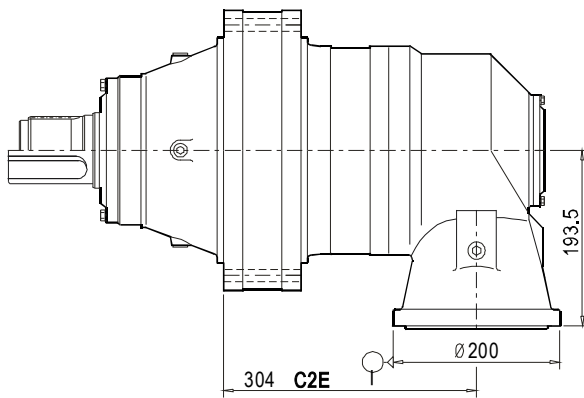
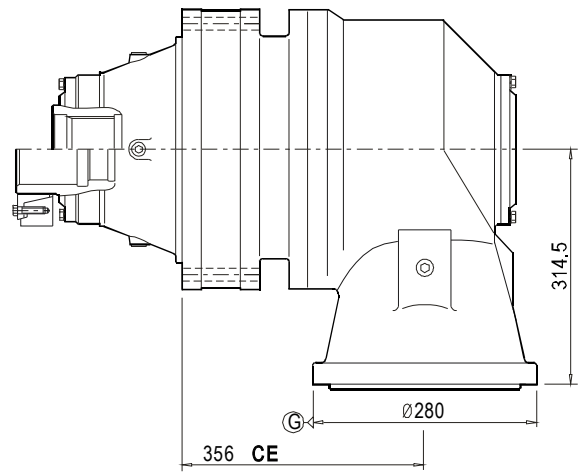
安装尺寸

Mounting Dimensions

355R2C(S)



355R2Z(H)





技术参数

Technical Data

400	i	T2 [N.m]							n1 [r/min]	n1max [r/min]	T2max [N.m]	Pt [kW]
		n2xh [r/minxh]										
		10000	25000	50000	100000	500000	1000000	2000000				
1E	3.86	32350	27990	25090	23390	21070	20140	19250	1500	2000	55770	54
	4.33	29060	25170	22560	21420	19320	18460	17660	1500	2000	58650	54
	5	26150	22680	20350	19380	17500	16740	16010	1500	2000	52920	54
	6	20770	18020	16460	15740	14220	13600	13010	1500	2000	43390	54
2E	16.33	32350	27990	25090	23390	21070	20140	19250	1000	1500	55770	29
	18.32	29060	25170	22560	21420	19320	18460	17660	1000	1500	58650	29
	21.15	26150	22680	20350	19380	17500	16740	16010	1000	1500	52920	29
	27.00	20770	18020	16460	15740	14220	13600	13010	1500	2000	43390	29
	31.20	20770	18020	16460	15740	14220	13600	13010	1500	2000	43390	29
	37.56	20770	18020	16460	15740	14220	13600	13010	1500	2000	43390	29
3E	52.83	32350	27990	25090	23390	21070	20140	19250	1500	2000	55770	22
	59.26	29060	25170	22560	21420	19320	18460	17660	1500	2000	58650	22
	75.28	29060	25170	22560	21420	19320	18460	17660	1500	2000	58650	22
	82.42	29060	25170	22560	21420	19320	18460	17660	1500	2000	58650	22
	91.58	29060	25170	22560	21420	19320	18460	17660	1500	2000	58650	22
	114.47	29060	25170	22560	21420	19320	18460	17660	1500	2000	58650	22
	157.50	26150	22680	20350	19380	17500	16740	16010	1500	2000	52920	22
	180.00	26150	22680	20350	19380	17500	16740	16010	1500	2000	52920	22
	212.97	20770	18020	16460	15740	14220	13600	13010	1500	2000	43390	22
	234.75	20770	18020	16460	15740	14220	13600	13010	1500	2000	43390	22
	300.48	20770	18020	16460	15740	14220	13600	13010	1500	2000	43390	22
	353.06	20770	18020	16460	15740	14220	13600	13010	1500	2000	43390	22
4E	213.43	32350	27990	25090	23390	21070	20140	19250	2000	2500	55770	17
	261.50	32350	27990	25090	23390	21070	20140	19250	2000	2500	55770	17
	299.54	32350	27990	25090	23390	21070	20140	19250	2000	2500	55770	17
	372.63	29060	25170	22560	21420	19320	18460	17660	2000	2500	58650	17
	426.83	29060	25170	22560	21420	19320	18460	17660	2000	2500	58650	17
	519.26	29060	25170	22560	21420	19320	18460	17660	2000	2500	58650	17
	641.06	29060	25170	22560	21420	19320	18460	17660	2000	2500	58650	17
	715.46	29060	25170	22560	21420	19320	18460	17660	2000	2500	58650	17
	801.32	29060	25170	22560	21420	19320	18460	17660	2000	2500	58650	17
	1020.60	26150	22680	20350	19380	17500	16740	16010	2000	2500	52920	17
	1502.40	20770	18020	16460	15740	14220	13600	13010	2000	2500	43390	17
	1490.76	20770	18020	16460	15740	14220	13600	13010	2000	2500	43390	17
	1878.00	20770	18020	16460	15740	14220	13600	13010	2000	2500	43390	17
	2159.70	20770	18020	16460	15740	14220	13600	13010	2000	2500	43390	17
	2449.10	20770	18020	16460	15740	14220	13600	13010	2000	2500	43390	17



技术参数

Technical Data

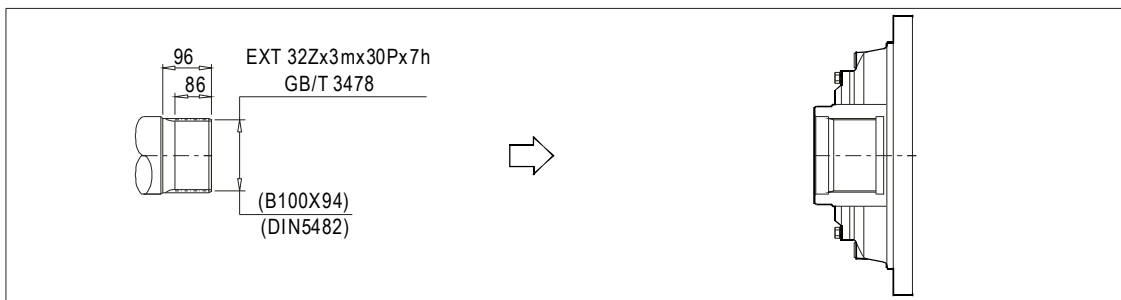
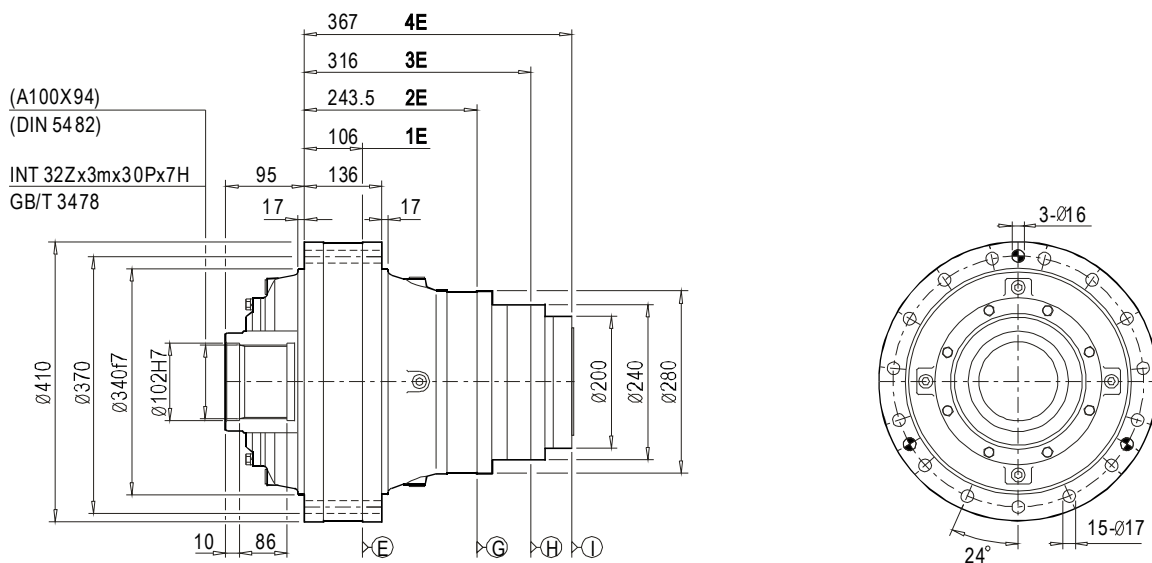
400	i	T ₂ [N.m]							n ₁ [r/min]	n _{1max} [r/min]	T _{2max} [N.m]	P _t [kW]
		n _{2xh} [r/minxh]										
		10000	25000	50000	100000	500000	1000000	2000000				
CE	10.38	26150	22680	20350	19380	17500	16740	16010	1500	2000	52920	55
	12.46	20770	18020	16460	15740	14220	13600	13010	1500	2000	43390	55
	16.88	20770	18020	16460	15740	14220	13600	13010	1500	2000	43390	55
	24.00	19110	16580	15150	14490	13090	12520	11970	1500	2000	39920	55
C2E	52.13	29060	25170	22560	21420	19320	18460	17660	1500	2000	58650	22
	60.20	26150	22680	20350	19380	17500	16740	16010	1500	2000	52920	22
	76.85	20770	18020	16460	15740	14220	13600	13010	1500	2000	43390	22
	88.80	20770	18020	16460	15740	14220	13600	13010	1500	2000	43390	22
	106.90	20770	18020	16460	15740	14220	13600	13010	1500	2000	43390	22
	127.40	20770	18020	16460	15740	14220	13600	13010	1500	2000	43390	22
	153.37	20770	18020	16460	15740	14220	13600	13010	1500	2000	43390	22
	183.73	20770	18020	16460	15740	14220	13600	13010	1500	2000	43390	22
221.19	20770	18020	16460	15740	14220	13600	13010	1500	2000	43390	22	
C3E	207.42	29060	25170	22560	21420	19320	18460	17660	1500	2000	58650	15
	263.47	29060	25170	22560	21420	19320	18460	17660	1500	2000	58650	15
	288.48	29060	25170	22560	21420	19320	18460	17660	1500	2000	58650	15
	320.53	29060	25170	22560	21420	19320	18460	17660	1500	2000	58650	15
	400.66	29060	25170	22560	21420	19320	18460	17660	1500	2000	58650	15
	486.00	26150	22680	20350	19380	17500	16740	16010	1500	2000	52920	15
	575.01	26150	22680	20350	19380	17500	16740	16010	1500	2000	52920	15
	674.25	29060	25170	22560	21420	19320	18460	17660	1500	2000	58650	15
	872.01	26150	22680	20350	19380	17500	16740	16010	1500	2000	52920	15
	1060.20	26150	22680	20350	19380	17500	16740	16010	1500	2000	52920	15
	1254.37	20770	18020	16460	15740	14220	13600	13010	1500	2000	43390	15
	1382.68	20770	18020	16460	15740	14220	13600	13010	1500	2000	43390	15
	1769.83	20770	18020	16460	15740	14220	13600	13010	1500	2000	43390	15
	2079.55	20770	18020	16460	15740	14220	13600	13010	1500	2000	43390	15



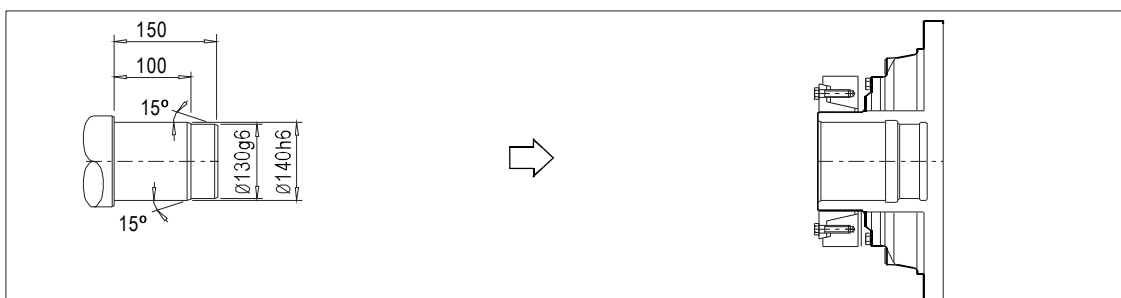
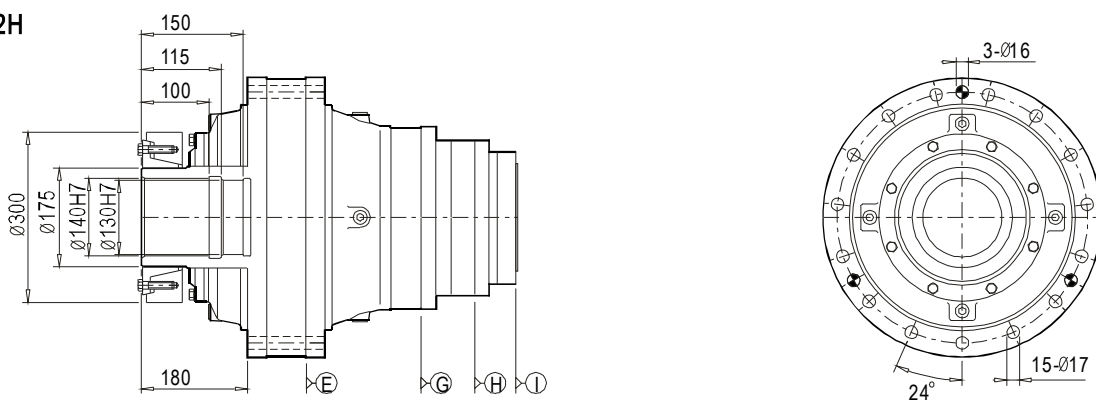
安装尺寸

Mounting Dimensions

400C2Z



400C2H

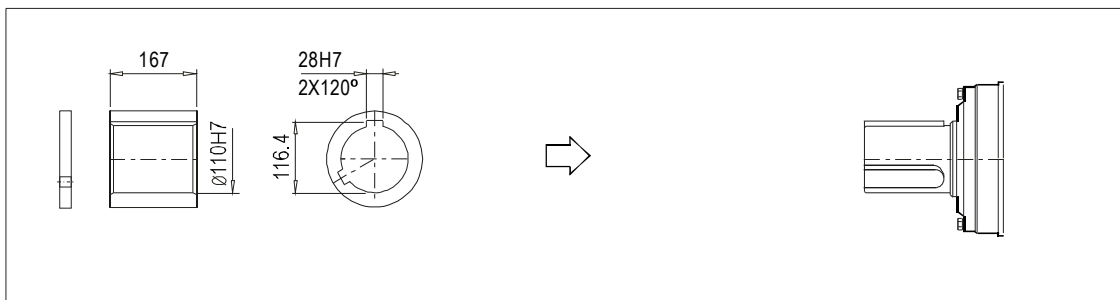
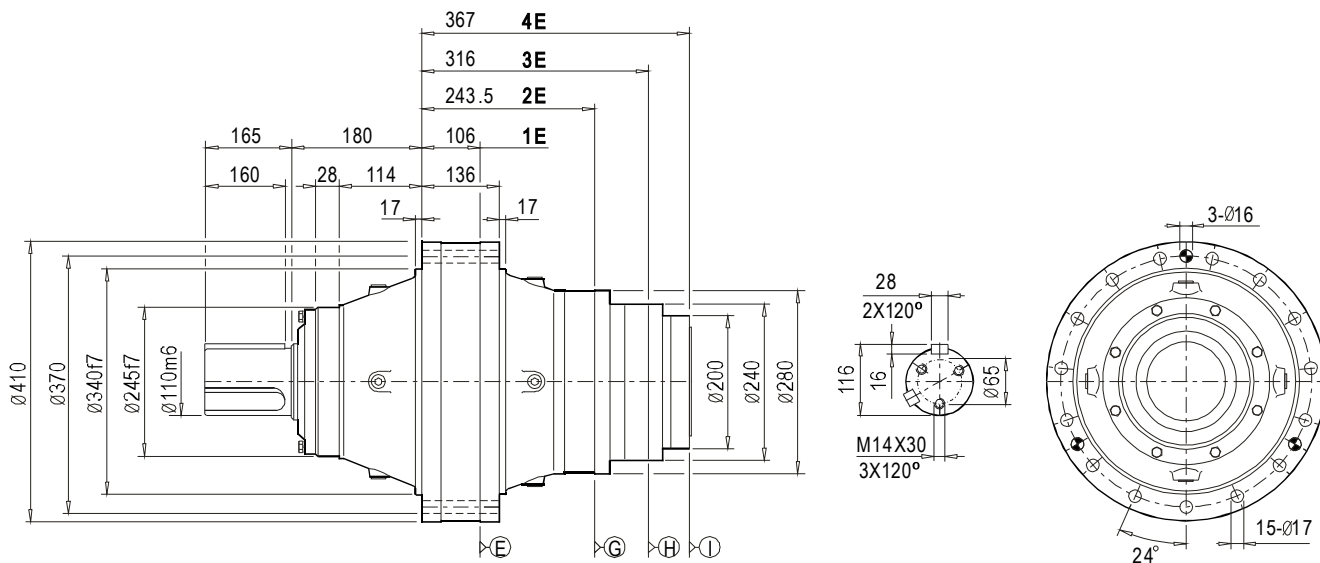




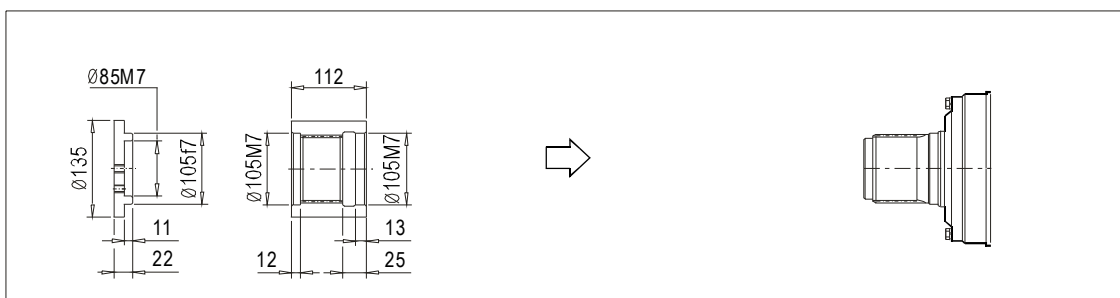
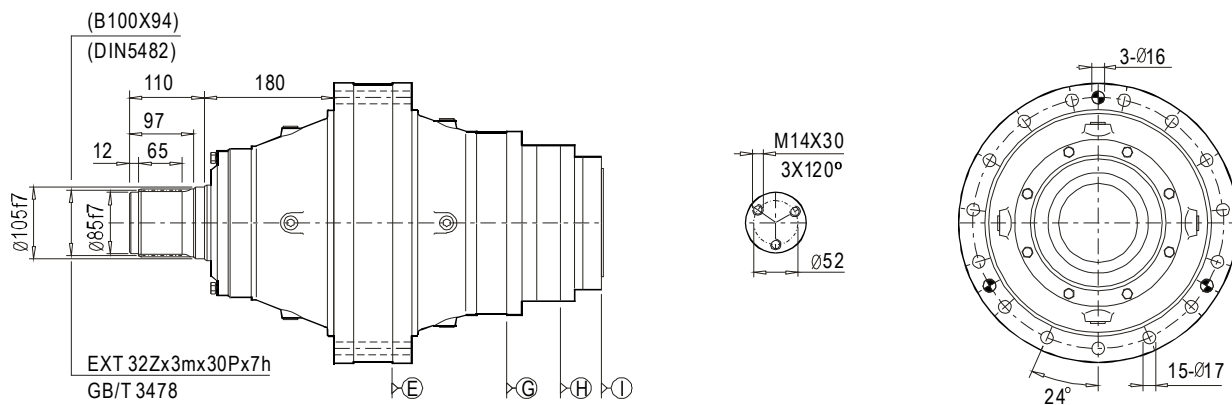
安装尺寸

Mounting Dimensions

400C2C



400C2S

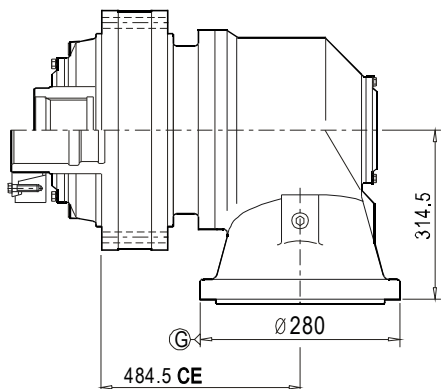




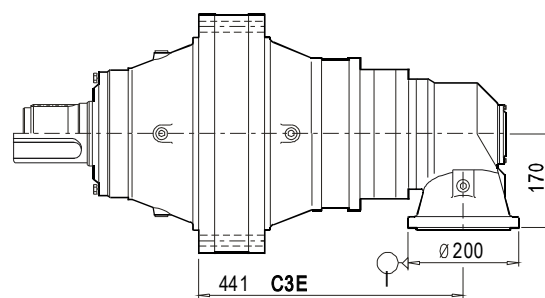
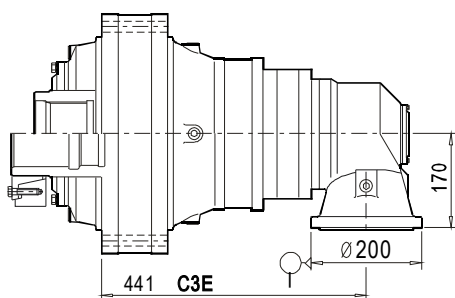
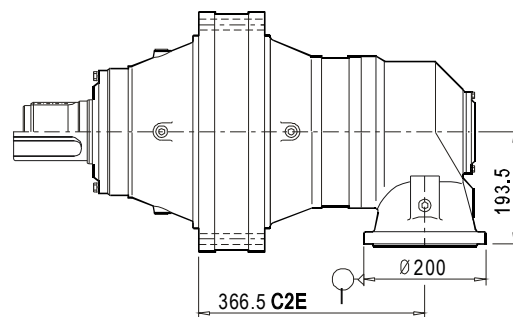
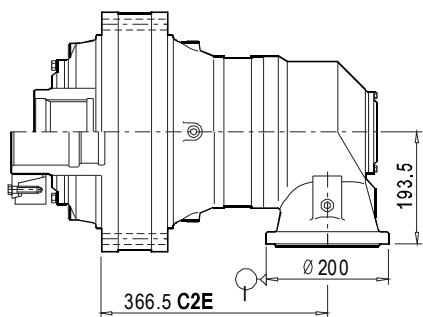
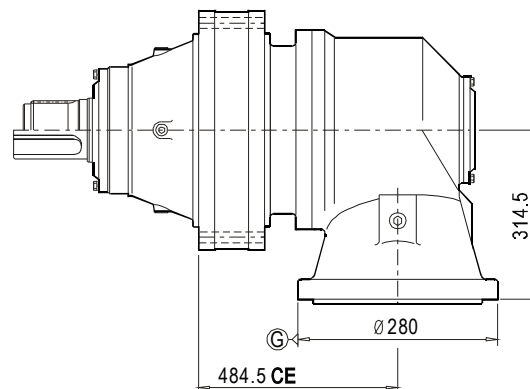
安装尺寸

Mounting Dimensions

400R2Z(H)



400R2C(S)





技术参数

Technical Data

401	i	T2 [N.m]							n1 [r/min]	n1max [r/min]	T2max [N.m]	Pt [kW]
		n2xh [r/minxh]										
		10000	25000	50000	100000	500000	1000000	2000000				
2E	15.29	32350	27990	25090	23390	21070	20140	19250	1500	2000	55770	35
	18.88	29060	25170	22560	21420	19320	18460	17660	1500	2000	58650	35
	21.17	29060	25170	22560	21420	19320	18460	17660	1500	2000	58650	35
	24.55	29060	25170	22560	21420	19320	18460	17660	1500	2000	58650	35
	31.25	26150	22680	20350	19380	17500	16740	16010	1500	2000	52920	35
	35.00	26150	22680	20350	19380	17500	16740	16010	1500	2000	52920	35
	42.00	20770	18020	16460	15740	14220	13600	13010	1500	2000	43390	35
3E	50.45	32350	27990	25090	23390	21070	20140	19250	1500	2000	55770	26
	61.37	32350	27990	25090	23390	21070	20140	19250	1500	2000	55770	26
	70.25	32350	27990	25090	23390	21070	20140	19250	1500	2000	55770	26
	86.36	32350	27990	25090	23390	21070	20140	19250	1500	2000	55770	26
	95.09	32350	27990	25090	23390	21070	20140	19250	1500	2000	55770	26
	118.18	29060	25170	22560	21420	19320	18460	17660	1500	2000	58650	26
	153.69	29060	25170	22560	21420	19320	18460	17660	1500	2000	58650	26
	173.09	29060	25170	22560	21420	19320	18460	17660	1500	2000	58650	26
	219.75	29060	25170	22560	21420	19320	18460	17660	1500	2000	58650	26
	253.75	26150	22680	20350	19380	17500	16740	16010	1500	2000	52920	26
	304.50	20770	18020	16460	15740	14220	13600	13010	1500	2000	43390	26
4E	207.35	32350	27990	25090	23390	21070	20140	19250	1500	2000	55770	20
	252.25	32350	27990	25090	23390	21070	20140	19250	1500	2000	55770	20
	286.05	32350	27990	25090	23390	21070	20140	19250	1500	2000	55770	20
	353.15	32350	27990	25090	23390	21070	20140	19250	1500	2000	55770	20
	439.08	32350	27990	25090	23390	21070	20140	19250	1500	2000	55770	20
	491.76	32350	27990	25090	23390	21070	20140	19250	1500	2000	55770	20
	604.55	32350	27990	25090	23390	21070	20140	19250	1500	2000	55770	20
	690.91	32350	27990	25090	23390	21070	20140	19250	1500	2000	55770	20
	811.82	32350	27990	25090	23390	21070	20140	19250	1500	2000	55770	20
	1075.83	29060	25170	22560	21420	19320	18460	17660	1500	2000	58650	20
	1229.52	29060	25170	22560	21420	19320	18460	17660	1500	2000	58650	20
	1444.68	29060	25170	22560	21420	19320	18460	17660	1500	2000	58650	20



技术参数

Technical Data

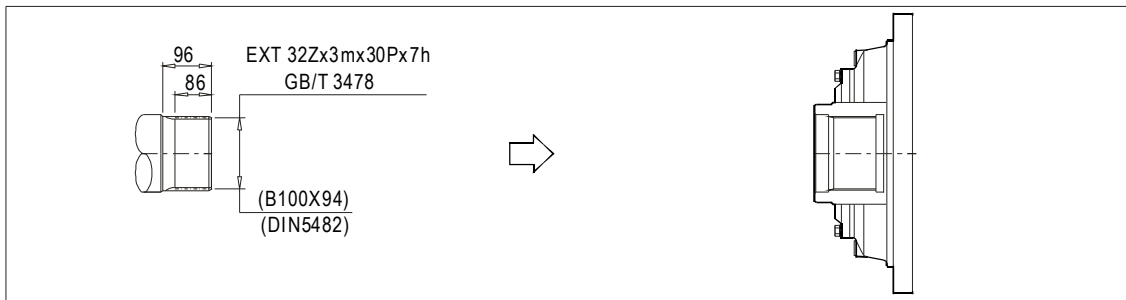
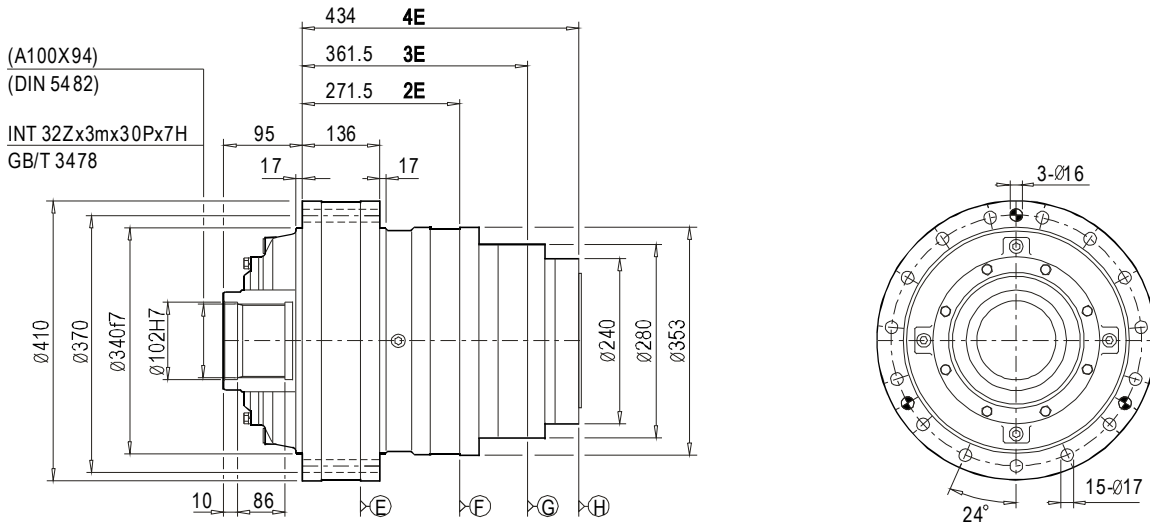
401	i	T2 [N.m]							n1 [r/min]	n1max [r/min]	T2max [N.m]	Pt [kW]
		n2xh [r/minxh]										
		10000	25000	50000	100000	500000	1000000	2000000				
C2E	25.49	32350	27990	25090	23390	21070	20140	19250	1500	2000	55770	
	31.75	32350	27990	25090	23390	21070	20140	19250	1500	2000	55770	
	34.52	32350	27990	25090	23390	21070	20140	19250	1500	2000	55770	
	42.99	32350	27990	25090	23390	21070	20140	19250	1500	2000	55770	
	49.10	32350	27990	25090	23390	21070	20140	19250	1500	2000	55770	
	61.14	32350	27990	25090	23390	21070	20140	19250	1500	2000	55770	
	75.52	29060	25170	22560	21420	19320	18460	17660	1500	2000	58650	
	84.69	29060	25170	22560	21420	19320	18460	17660	1500	2000	58650	
	98.20	29060	25170	22560	21420	19320	18460	17660	1500	2000	58650	
	125.00	26150	22680	20350	19380	17500	16740	16010	1500	2000	52920	
	141.17	29060	25170	22560	21420	19320	18460	17660	1500	2000	58650	
	179.69	26150	22680	20350	19380	17500	16740	16010	1500	2000	52920	
	201.25	26150	22680	20350	19380	17500	16740	16010	1500	2000	52920	
241.5	20770	18020	16460	15740	14220	13600	13010	1500	2000	43390		
C3E	143.59	32350	27990	25090	23390	21070	20140	19250	1500	2000	55770	
	174.68	32350	27990	25090	23390	21070	20140	19250	1500	2000	55770	
	199.95	32350	27990	25090	23390	21070	20140	19250	1500	2000	55770	
	245.80	32350	27990	25090	23390	21070	20140	19250	1500	2000	55770	
	286.86	32350	27990	25090	23390	21070	20140	19250	1500	2000	55770	
	352.65	32350	27990	25090	23390	21070	20140	19250	1500	2000	55770	
	413.71	32350	27990	25090	23390	21070	20140	19250	1500	2000	55770	
	508.59	32350	27990	25090	23390	21070	20140	19250	1500	2000	55770	
	559.96	32350	27990	25090	23390	21070	20140	19250	1500	2000	55770	
	695.96	29060	25170	22560	21420	19320	18460	17660	1500	2000	58650	
	905.06	29060	25170	22560	21420	19320	18460	17660	1500	2000	58650	
	1019.28	29060	25170	22560	21420	19320	18460	17660	1500	2000	58650	
	1294.07	29060	25170	22560	21420	19320	18460	17660	1500	2000	58650	
	1494.31	26150	22680	20350	19380	17500	16740	16010	1500	2000	52920	
1793.17	20770	18020	16460	15740	14220	13600	13010	1500	2000	43390		
C4E	882.86	29060	25170	22560	21420	19320	18460	17660	1500	2000	58650	
	1001.17	32350	27990	25090	23390	21070	20140	19250	1500	2000	55770	
	1236.01	32350	27990	25090	23390	21070	20140	19250	1500	2000	55770	
	1536.76	32350	27990	25090	23390	21070	20140	19250	1500	2000	55770	
	1721.17	32350	27990	25090	23390	21070	20140	19250	1500	2000	55770	
	2115.91	32350	27990	25090	23390	21070	20140	19250	1500	2000	55770	
	2418.18	32350	27990	25090	23390	21070	20140	19250	1500	2000	55770	
	2841.36	32350	27990	25090	23390	21070	20140	19250	1500	2000	55770	
	3560.77	32350	27990	25090	23390	21070	20140	19250	1500	2000	55770	
	4069.45	32350	27990	25090	23390	21070	20140	19250	1500	2000	55770	
	4781.61	32350	27990	25090	23390	21070	20140	19250	1500	2000	55770	
	6336.63	29060	25170	22560	21420	19320	18460	17660	1500	2000	58650	
	7241.87	29060	25170	22560	21420	19320	18460	17660	1500	2000	58650	
	8509.19	29060	25170	22560	21420	19320	18460	17660	1500	2000	58650	



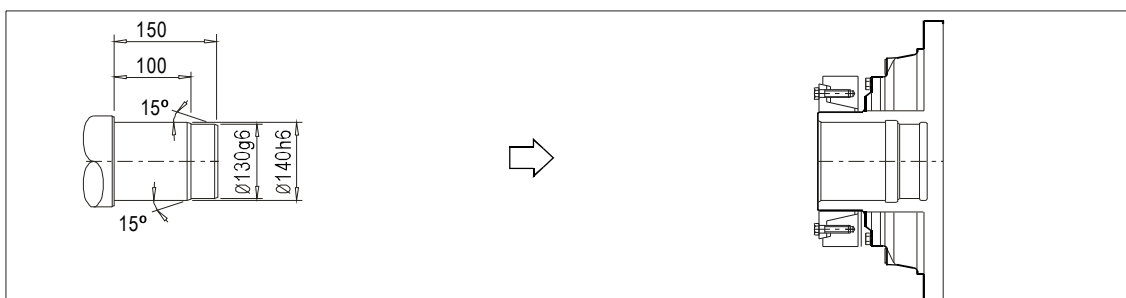
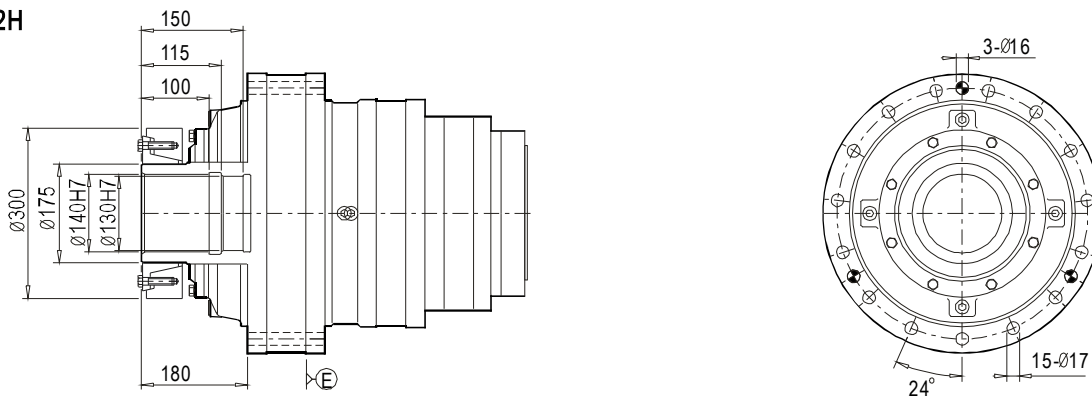
安装尺寸

Mounting Dimensions

401C2Z



401C2H

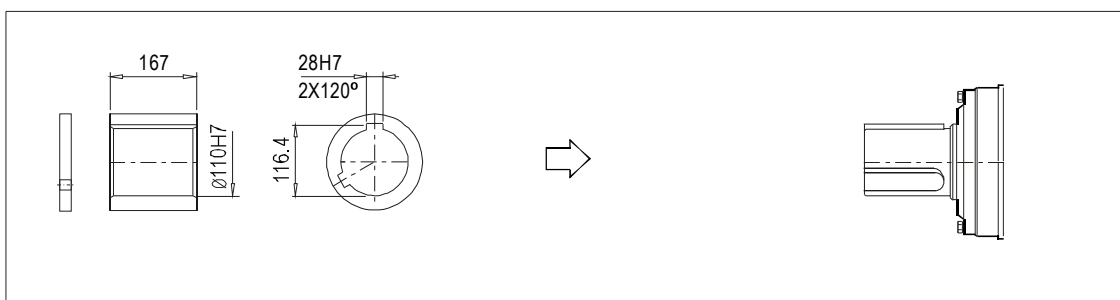
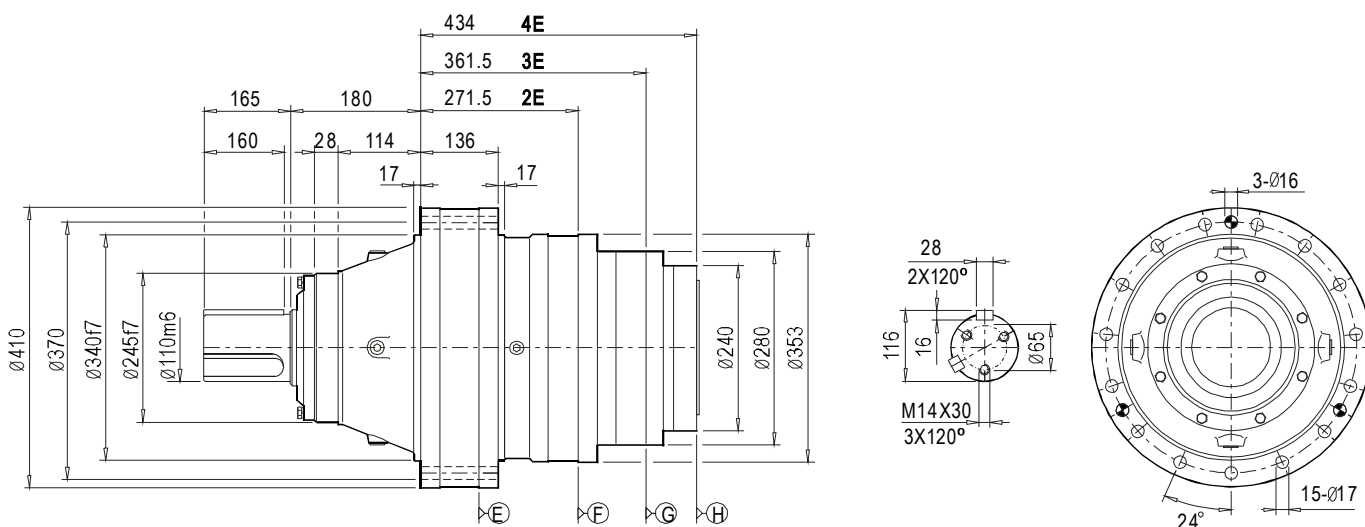




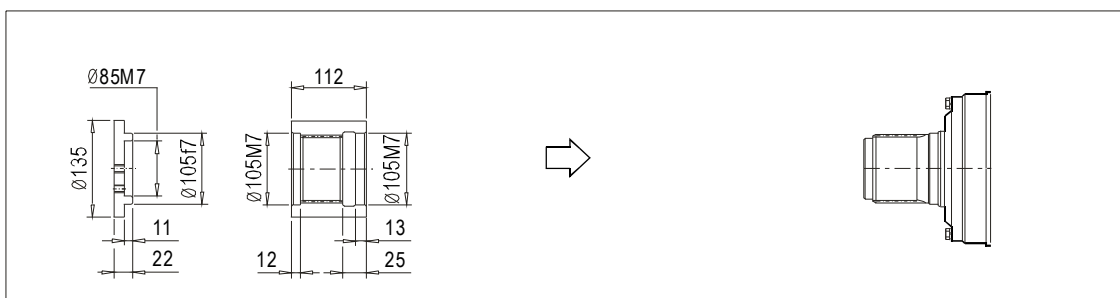
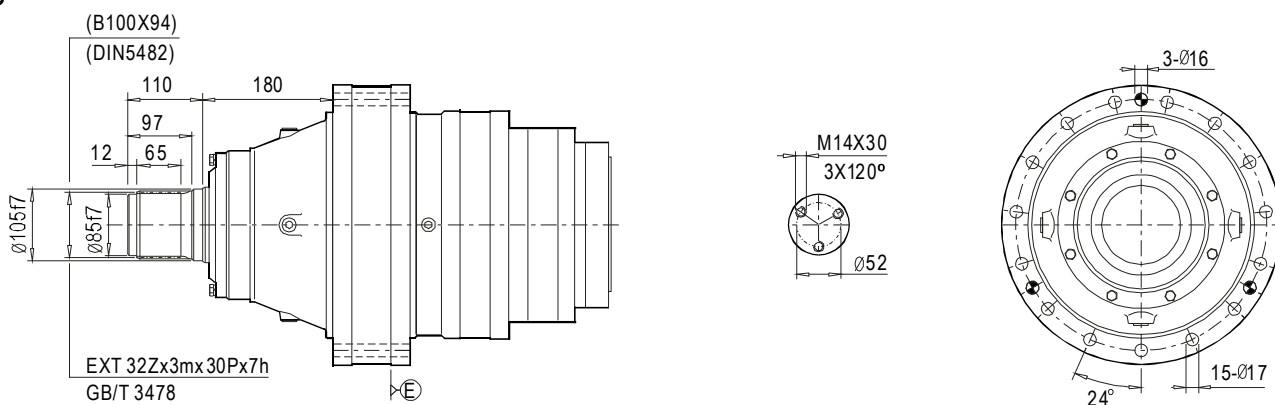
安装尺寸

Mounting Dimensions

401C2C



401C2S





安装尺寸

Mounting Dimensions

401R2Z(H)

401R2C(S)

